



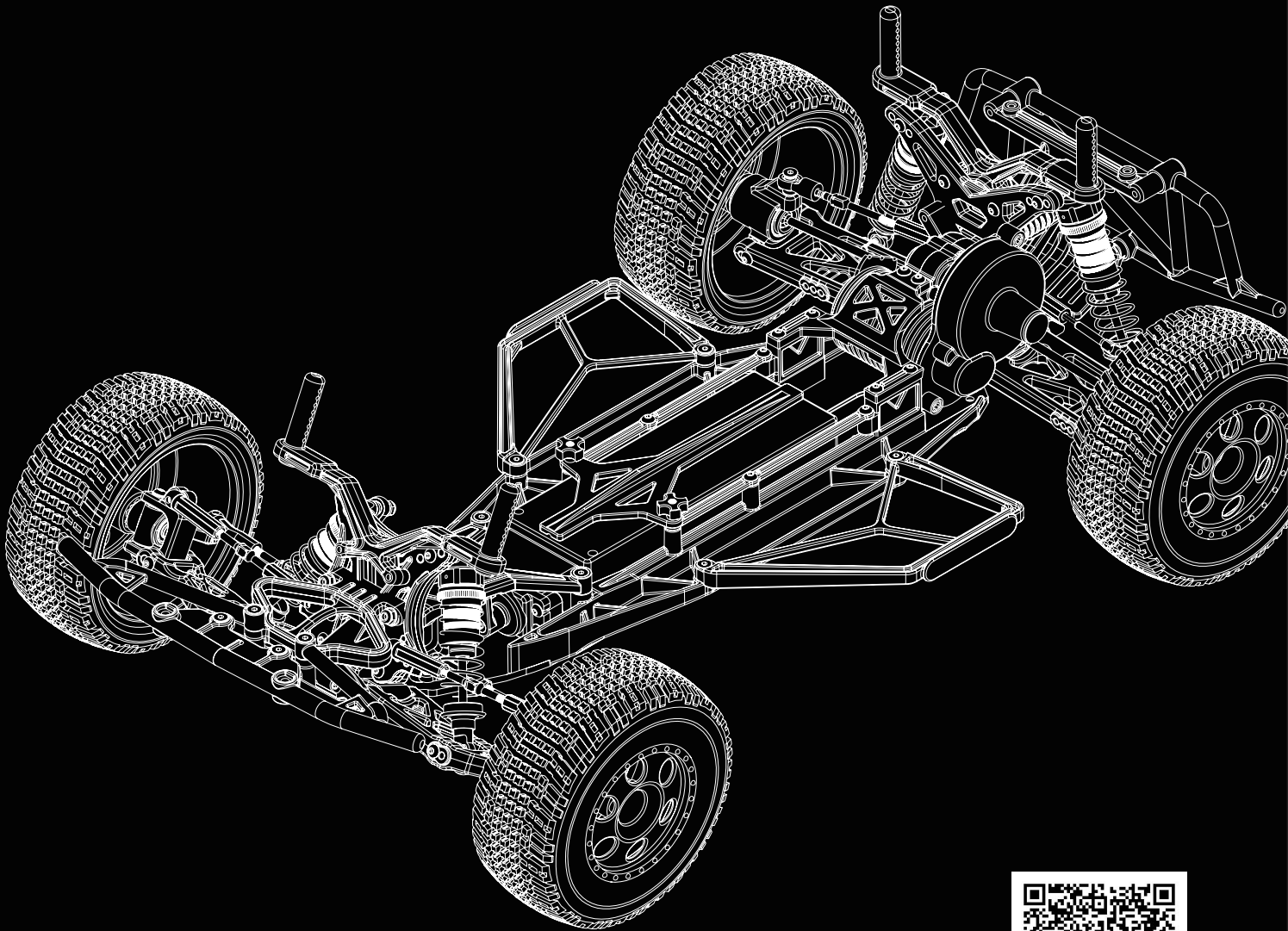
PR RACING

www.pr-rc.com

PR SC201

PR RACING Off Road 10TH Short Course Team Truck Kit

ITEM NO:69000010





PR RACING
www.pr-rc.com

PR Racing SC201 1/10 Electric 2WD Short Course Truck

This is PR SC201 1/10 2WD Short Course Truck Kit.

We choose 6061 aluminum alloy hard anodizing material on chassis, it could use mid motor and rear motor configuration.

Following PR 2WD C brace and steering stand design to promote the fluency of reaction, using big cylinder shock to upgrade stability and suspension strut, by using various parts and strong allocation to achieve the biggest sliding ability.

You can have new sense of driving through

PR SC201 1/10 2WD new world design.

Specifications

- Providing the biggest stability when cars drive, with high hardness material 6061 aluminum chassis.
- Can choose two configurations (Shorty battery and Long battery.)
- It has gear differential to achieve well and strong handling.
- Big bore shock, using intensive aluminum alloy metal to upgrade shock fluency-degree; you can drive easier even if you drive on difficult road!
- Can choose central motor or rear motor according to high grip or low grip place.

PR Racing SC201 1/10 Electric 2WD Short Course Truck

Specifications

- Motor: Electric
- Chassis Kick-up: 25-degrees
- Hardware: Full metric
- Bearings: Shields Metal Ball Bearings
- Wheels : Wheels with 12mm hex (front and rear)
- Spur Gear: 73-75-77-81-83-tooth 48-Pitch
- Drivetrain:2WD(RM&MM)
- Motor: Electric 540-sized
- Kit/RTR: Kit
- Shock Type: Oil Aluminum Shocks
- Body: No attach body
- Driveshafts: Full set of 2 CVDs
- Width: 296 mm
- Weight: 1850-1995g (weight varies with choice of electronics, tires & body)
- Length: 325mm-329mm
- Gear Ratio: 2.6:1
- Battery choice: 7.4V/4000-6000mAh approx,
- Minimum Age Recommendation: 14 years old

Items required

- Metric 1.5mm, 2.0mm hex tools
- Metric 5.5mm, 8.0mm Nut Driver
- 2 Channel Surface Radio System (Minimum)
- 1/10 ESC, Motor & Pinion Gear
- High-Speed Servo
- 2S LiPo Battery & Compatible Lipo Charger
- Polycarbonate Paint for Bodies
- 1/10 Truck Tires, inserts and CA Glue
- Silicon diff oil
- LOK threadlocker

● BEFORE INSTALLATION -----	01
● BAG A -----	03-05
Chassis Guard Installation	
Servo Saver	
Steering Servo	
● BAG B -----	06-10
Front Suspension	
Front Spindle (Left Side)	
Front Spindle (Right Side)	
Front Suspension (Left Side)	
Front Shock Stay	
Front Suspension	
● BAG C -----	10-12
Battery Tray	
Battery Column	
Rear Hub & CV	
Rear Hub (Left Side)	
Rear Suspension	
● BAG D -----	13-18
Differential Gear	
Transmission Assembly (Rear Motor)	
Motor Mounts (Rear Motor)	
Main Gear (Rear Motor)	
Rear Shock Stay (Rear Motor)	
Wing Mount (Rear Motor)	
Rear Gear Box	
Rear Brace	
Rear Suspension	
● BAG E -----	19-23
Shock Assembly	
Shock Spring	
Front Suspension	
Rear Suspension	
Motor	
Motor guard	
Battery Plate	
Body Shell	
Body Mounting & Wheels	
● BAG F -----	24-28
Accessories	
● SPARE PARTS & OPTIONAL PARTS -----	29

BEFORE INSTALLATION

- 1 Read through the instruction manual before installation in order to have an overview of what to do.
- 2 Check if there is any missing bags or defective parts, if there is, please contact our local dealer or our PR Distributor.
- 3 Symbols used throughout the instruction manual, comprises of:



Part bags used.



Assemble as many times as specified (here: twice).



Tighten securely.



Note the direction.



True-to-scale diagram.



Do not over tighten.



Must be purchased separately.



Apply threadlocker (screw cement)



Ensure smooth non-binding movement while assembling.



Assemble in the specified order.



Apply grease.



Cut off shaded portion.



Assemble left and right sides the same way.



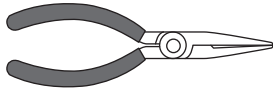
Apply oil.

- 4 This kit contains screws and hardware in different metric sizes and shapes. Before using them, check the screws on the true-to-scale diagrams on the left side in each assembly step. Some screw are extras.

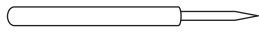
TOOLS REQUIRED

CAUTION: Handle tools carefully!

- Needle Nose Pliers



- Awl



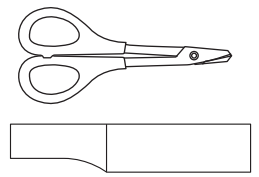
- Grease



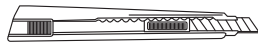
- Screw Cement



- Round Cutter & Sander



- Sharp Hobby Knife

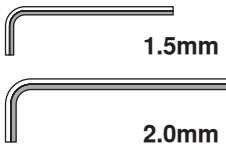


- Wire Cutters



For trimming bodies Cutting along curved lines was never so easy!

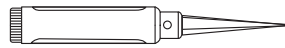
- Hex Wrench



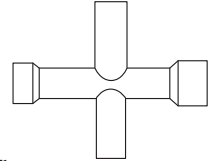
- Ball Differential Grease



- SP Knife Edge Reamer



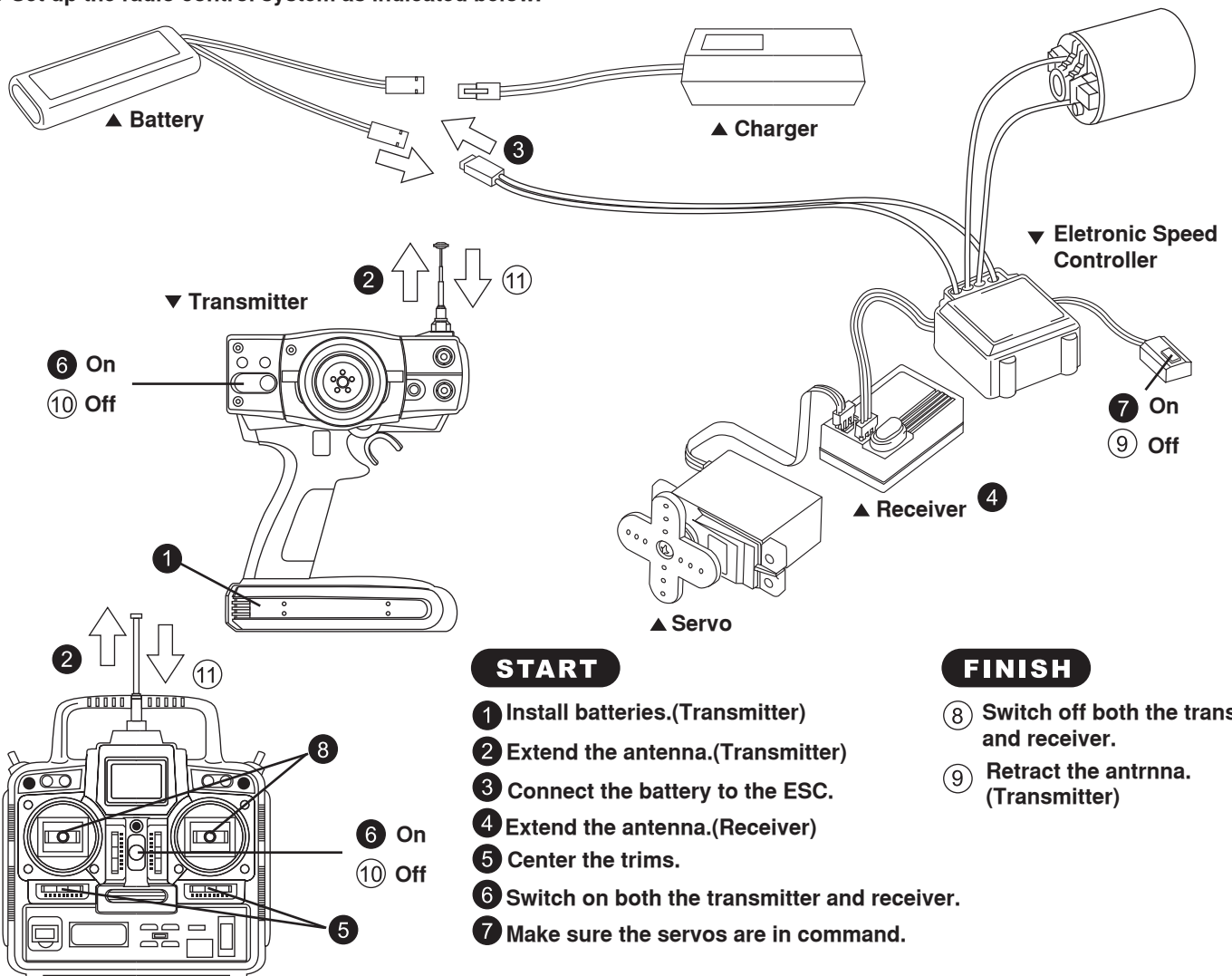
- Cross Wrench



Do not pre-drill as precise drilling of 1mm to 15mm holes can be performed after body shell painted.

RADIO PREPARATION

- A new battery must be charged before it is used. Refer to the charger instruction manual for charging.
- Set up the radio control system as indicated below.





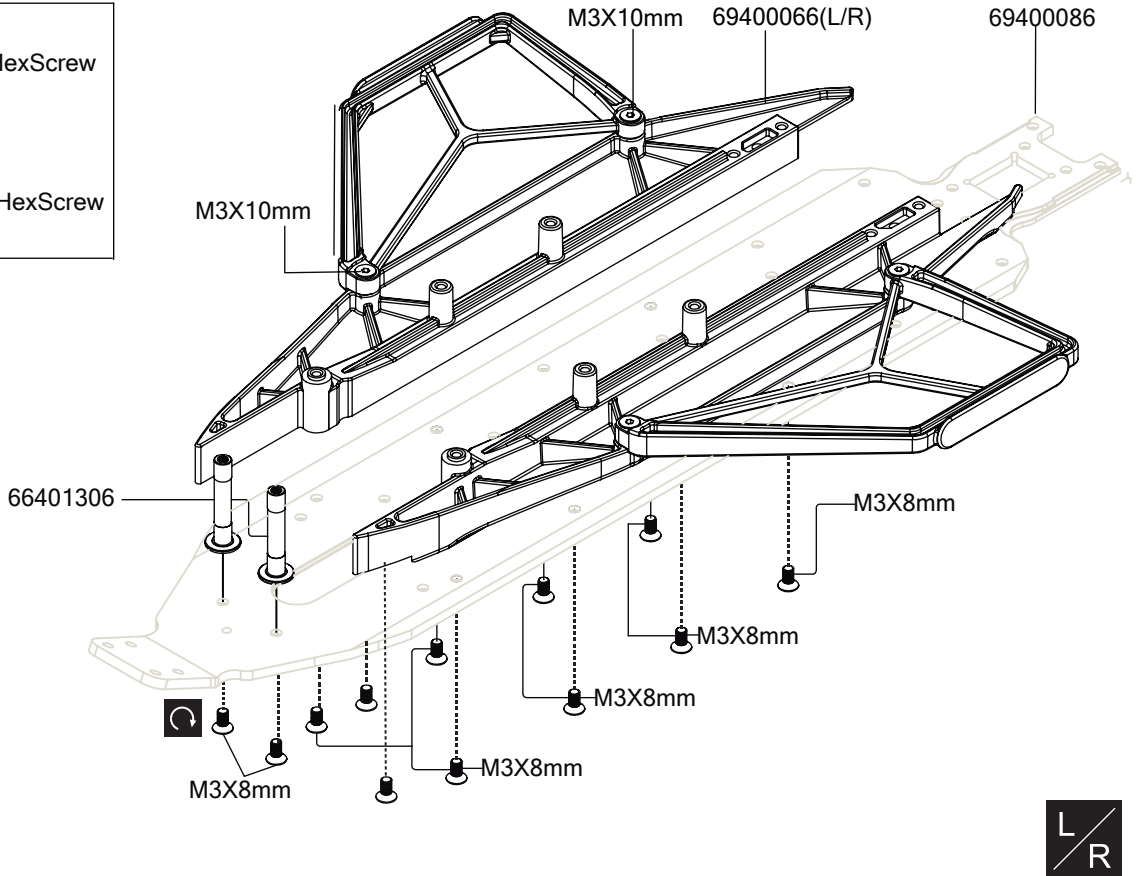


A1 Chassis Guard Installation



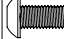

BAG A

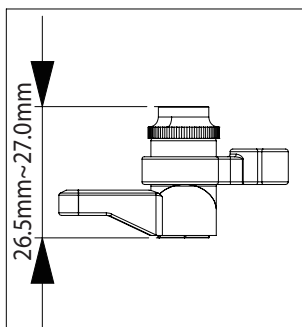
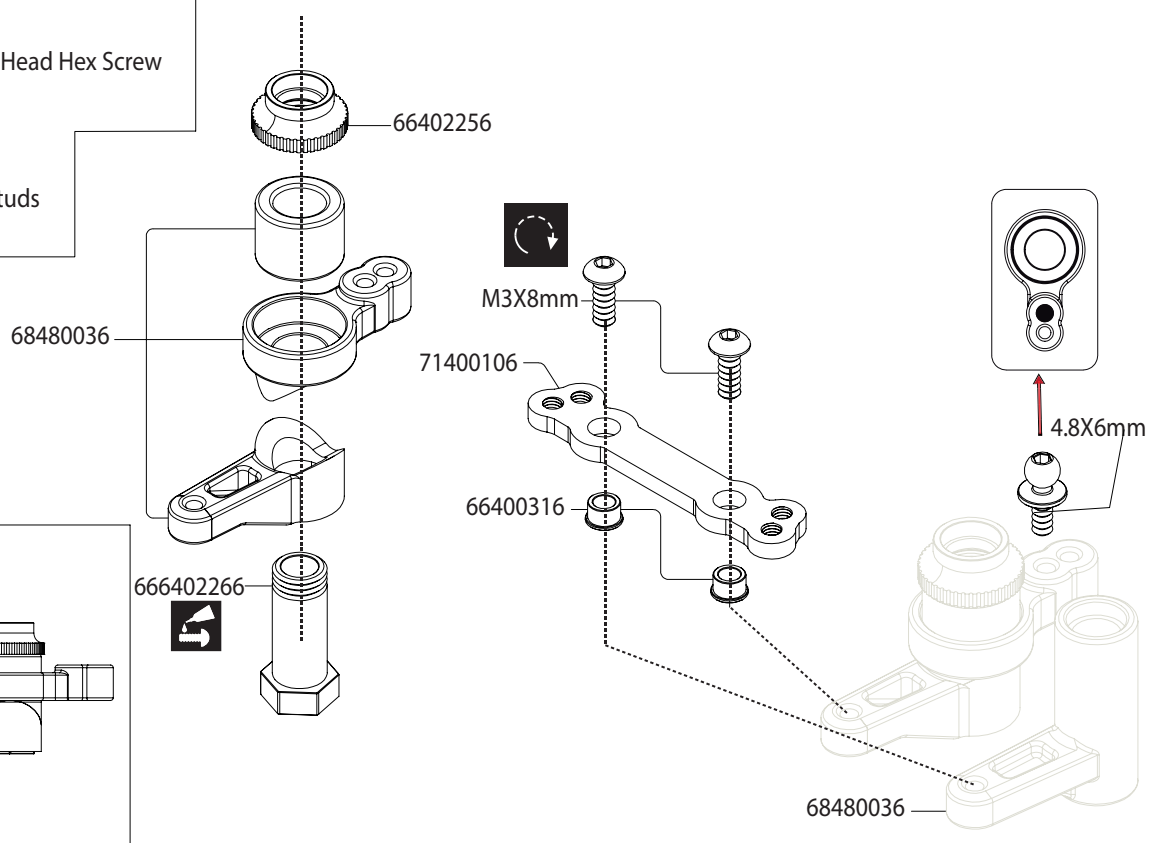
-  12
M3x8mm Flat Head HexScrew
82400026
-  4
M3x10mm Flat Head HexScrew
82400106



BAG A



A2 Servo saver

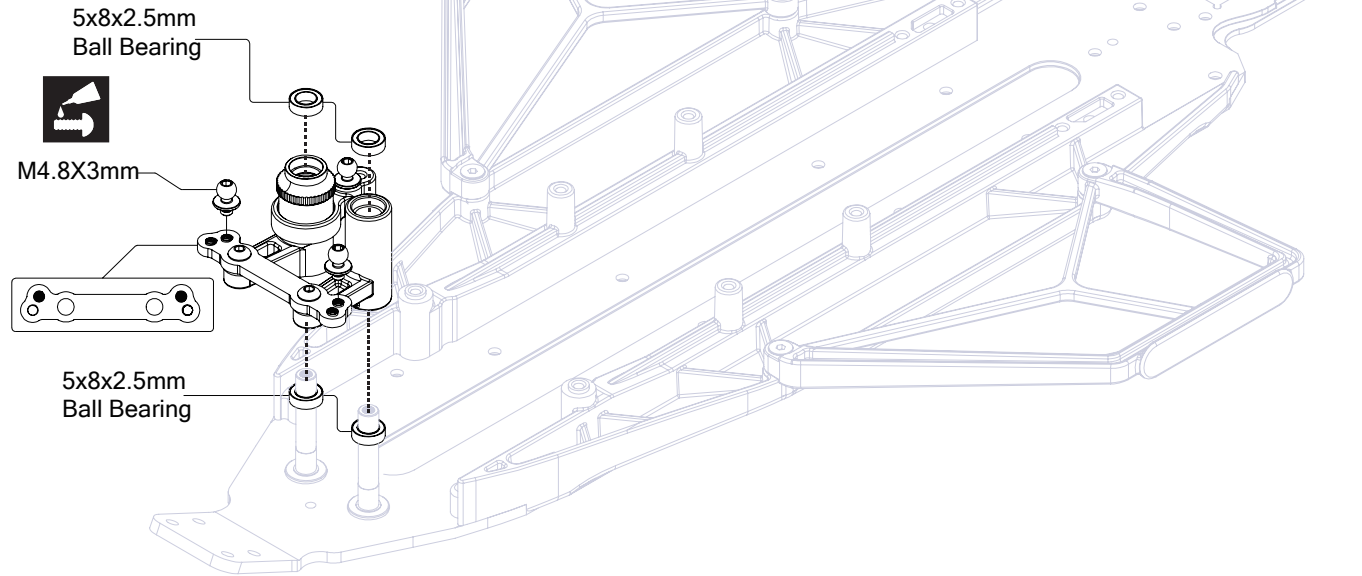
-  2
M3X8mm Button Head Hex Screw
80400036
-  1
M4.8X6mm Ball Studs
68430036






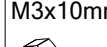


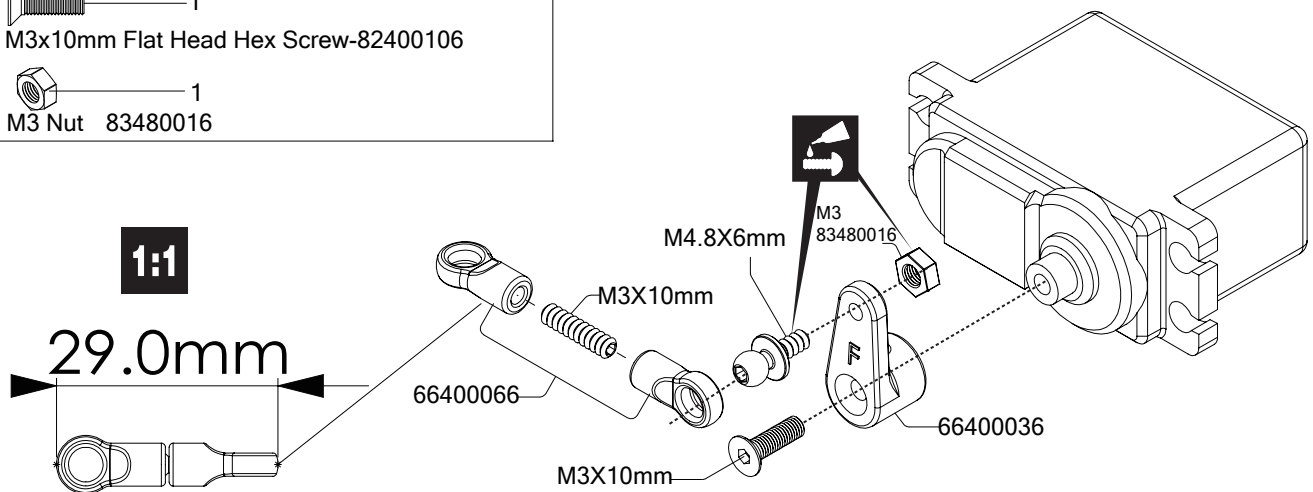
A3 Servo saver

-  2
4.8mmx3mm Ball Studs-68430026
-  4
5x8x2.5mm Ball Bearing-66400756



A4 Steering Servo

-  1
M3x10mm Set Screw-87400026
-  1
M4.8mmx6mm Ball Studs-68430036
-  1
M3x10mm Flat Head Hex Screw-82400106
-  1
M3 Nut 83480016



Part Bags used.





True-to-scale diagram.

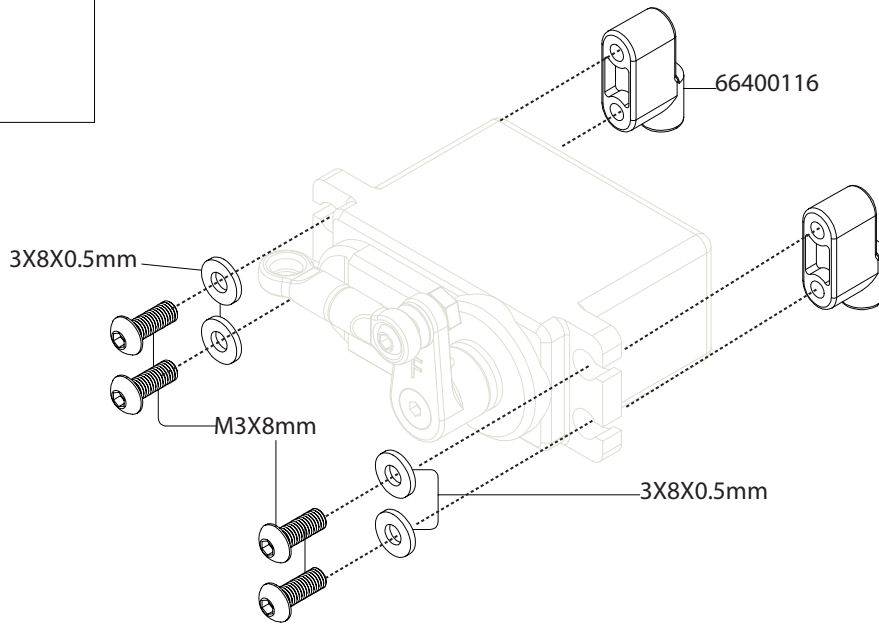


Apply threadlocker (screw cement)




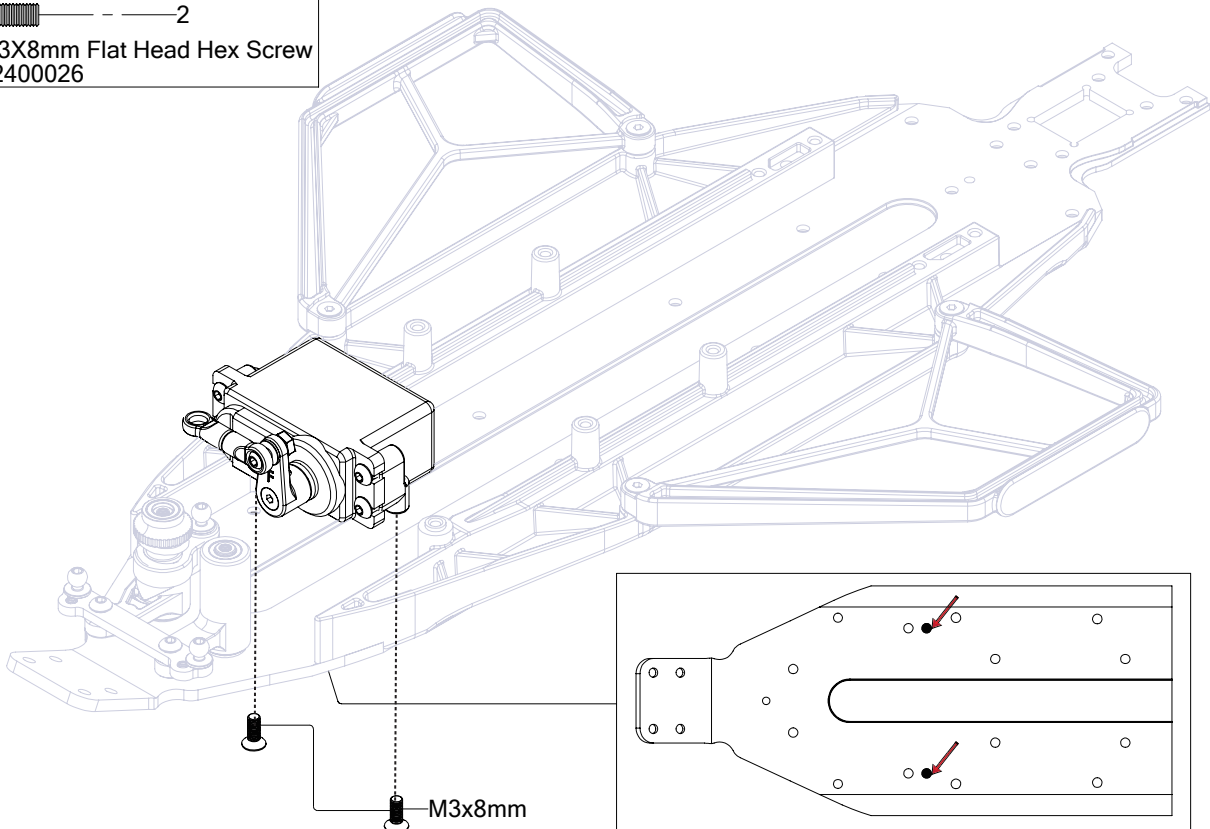
A5 Steering Servo

-  4
M3X8mm Button Head Hex Screw
80400036
-  4
3X8X0.5mm Washer
8500010




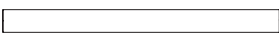
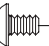
A6 Steering Servo

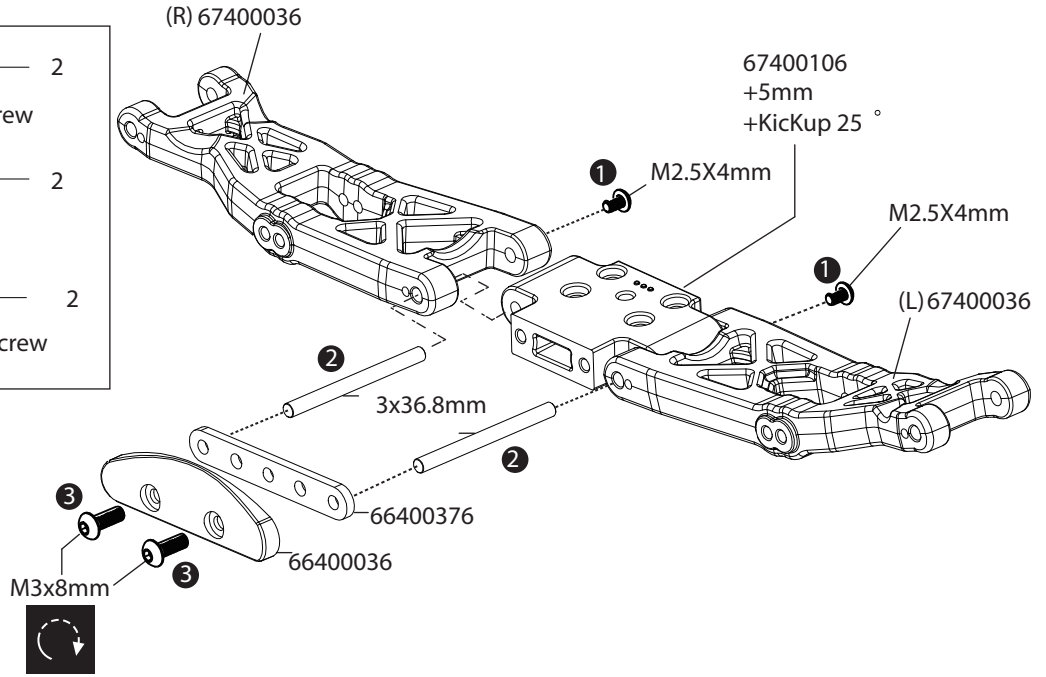
-  2
M3X8mm Flat Head Hex Screw
82400026






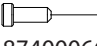
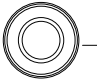


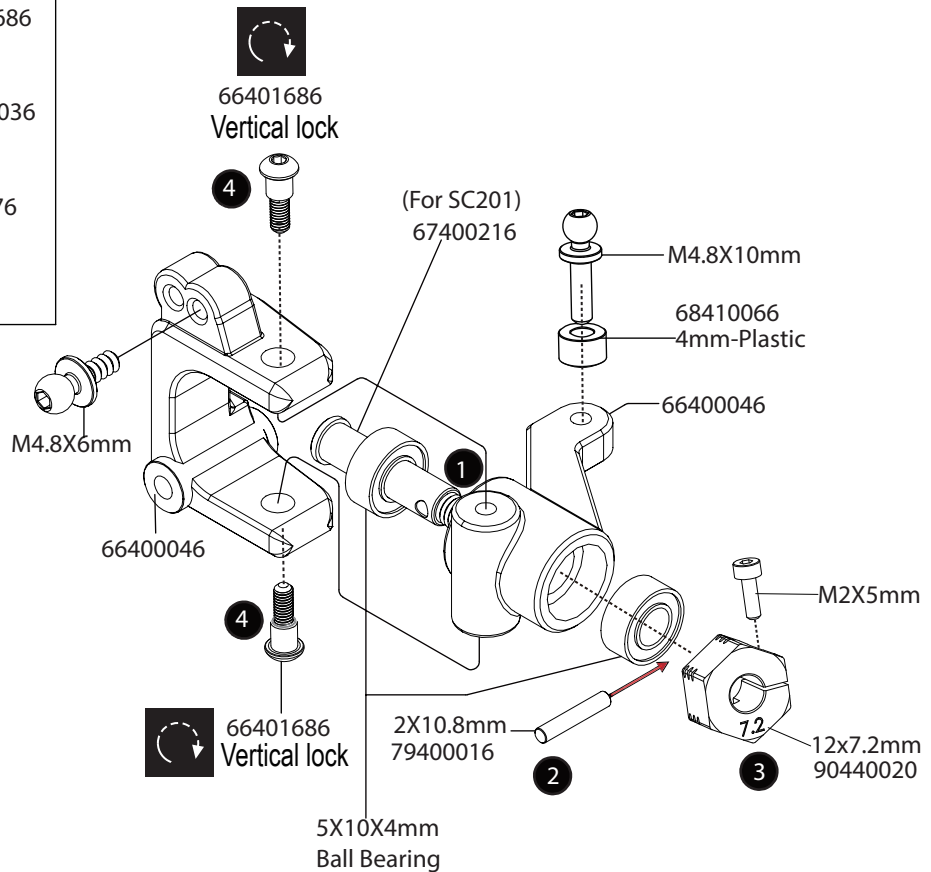
B1 Front Suspension

-  2
3X8mm Button Head Hex Screw
80400036
-  2
3x36.8mm Pin
66430110
-  2
2.5x4mm Button Head Hex Screw
80400016



B2 Front Spindle[Left Side]

-  2
Steering Screw Stepped -66401686
-  1
M4.8mmx6mm Ball Studs-68430036
-  1
M4.8x10mm Ball Studs - 68430076
-  2
87400066
M2X5mm Cap Screw
-  2
5x10x4mm ZZ Ball Bearing
89430010



Part Bags used.



Do not over tighten.



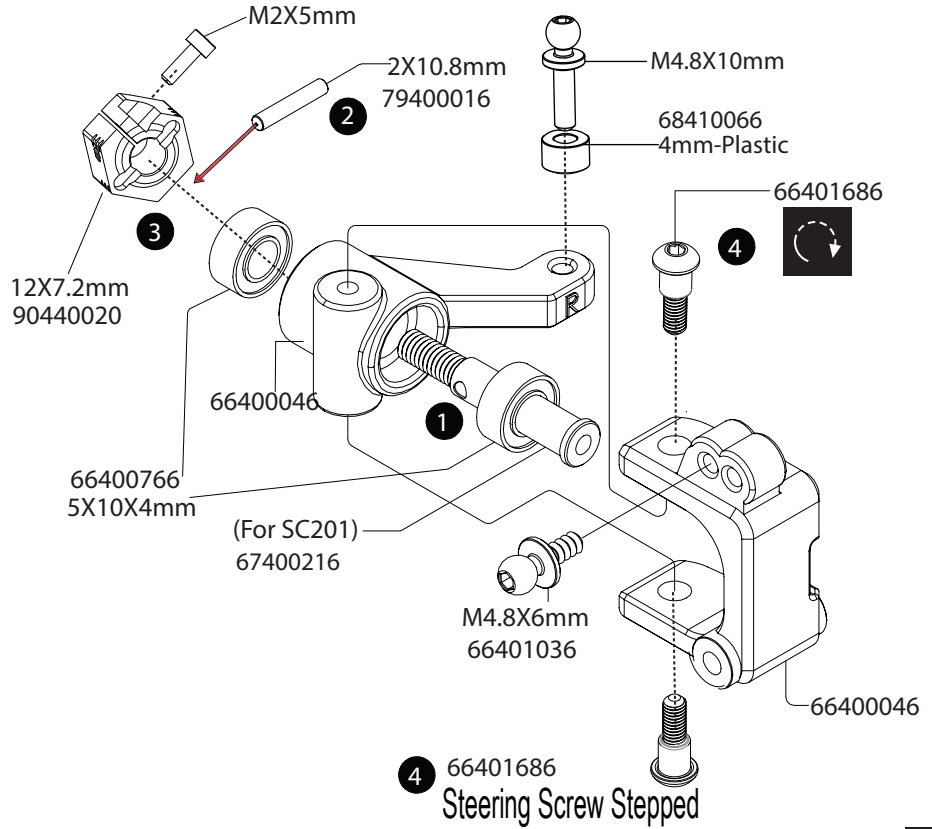
Assemble in the specified order.



B3 Front Spindle[Right Side]



- 2
Steering Screw Stepped -66401686
- 1
M4.8mmx6mm Ball Studs-68430036
- 1
M4.8x10mm Ball Studs- 68430076
- 2
M2X5mm ————— 87400066
- 2
5x10x4mm ZZ Ball Bearing
89430010



4 66401686
Steering Screw Stepped



B4 Front Suspension[Left Side]

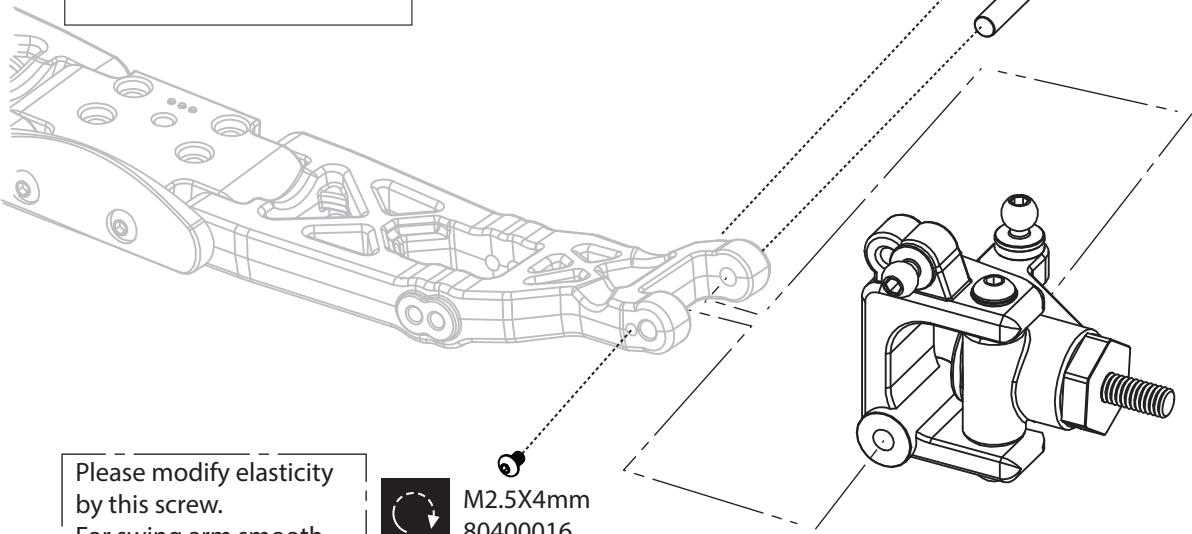


- 2
2.5x4x(5.4)mm
80400016
- 2
3x27.8mm Pin ————— 2
79400106

Please modify elasticity
by this screw.
For swing arm smooth

M2.5X4mm

3X27.80mm



Please modify elasticity
by this screw.
For swing arm smooth






M2.5X4mm
80400016

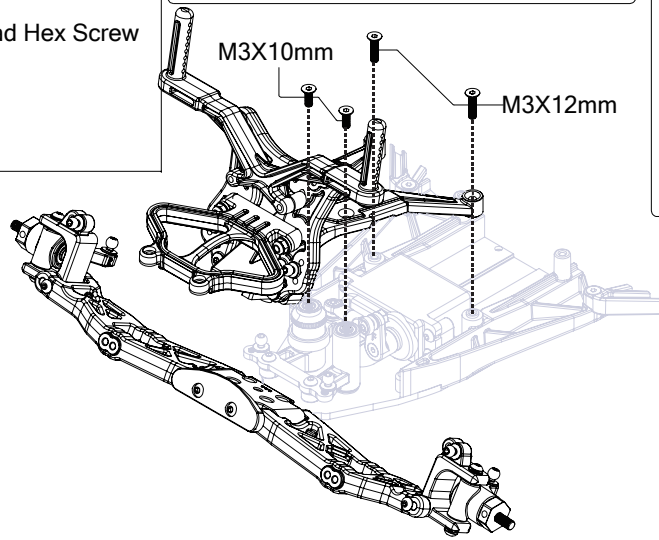
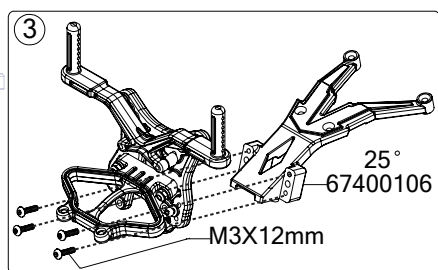
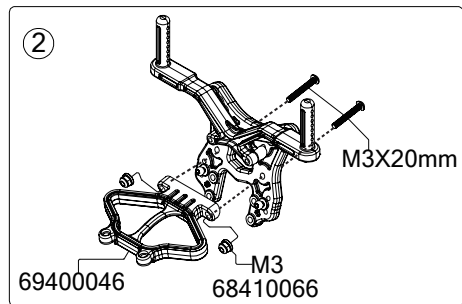
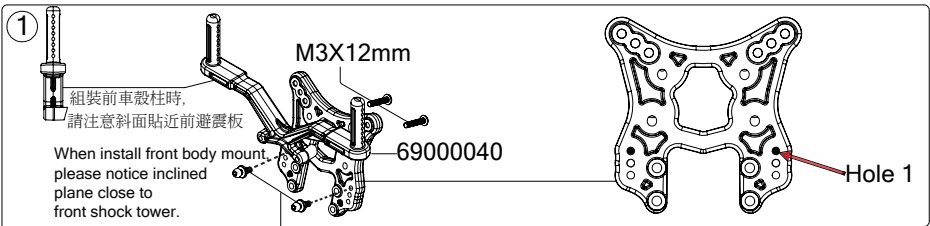




B5 Front Shock Stay

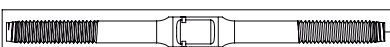
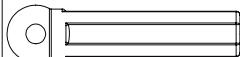


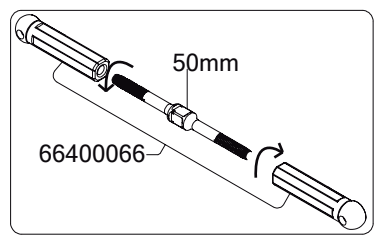
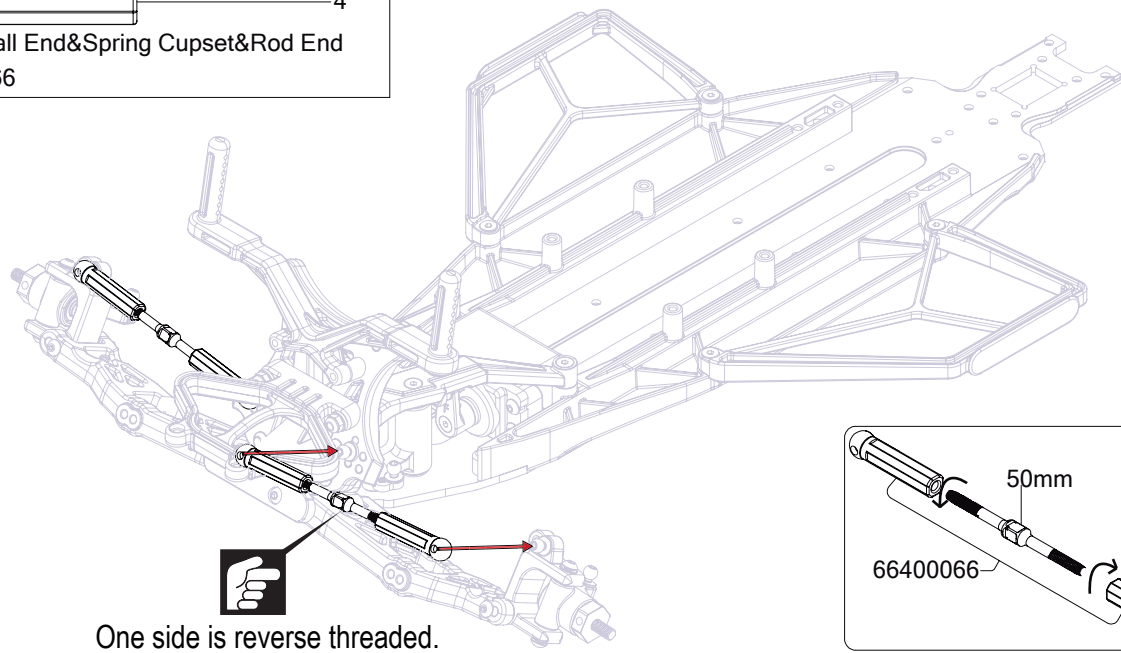
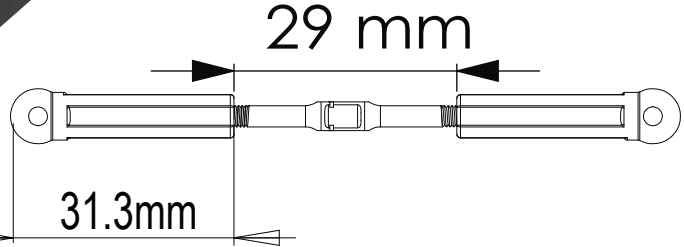
-  2
M3x10mm Flat Head Screw
82400106
-  2
M3x12mm Flat Head Screw
82400036
-  6
M3x12mm Button Head Hex Screw
80400206
-  2
M3x20mm Button Head Hex Screw
80400066
-  2
M4.8x6mm Ball Studs
68430036



B6 Front Suspension



-  2
50mm Turnbuckle Rods
68480886
-  4
Shock Ball End&Spring Cupset&Rod End
66400066



Part Bags used.



Note the direction.



1:1 True-to-scale diagram.






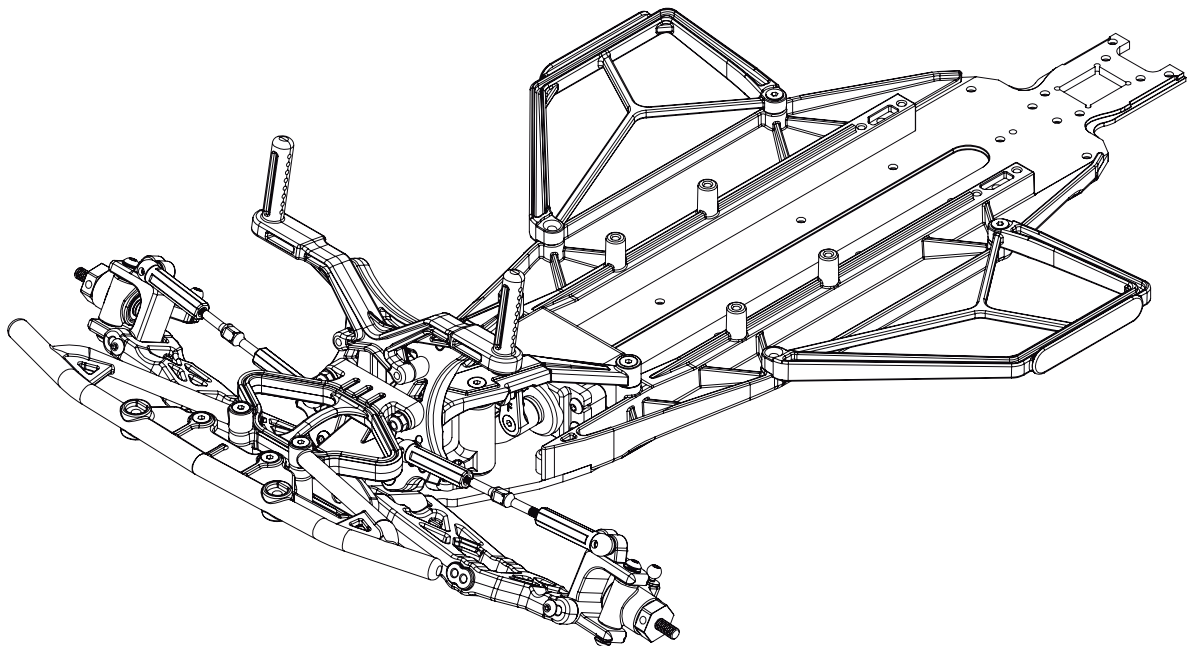
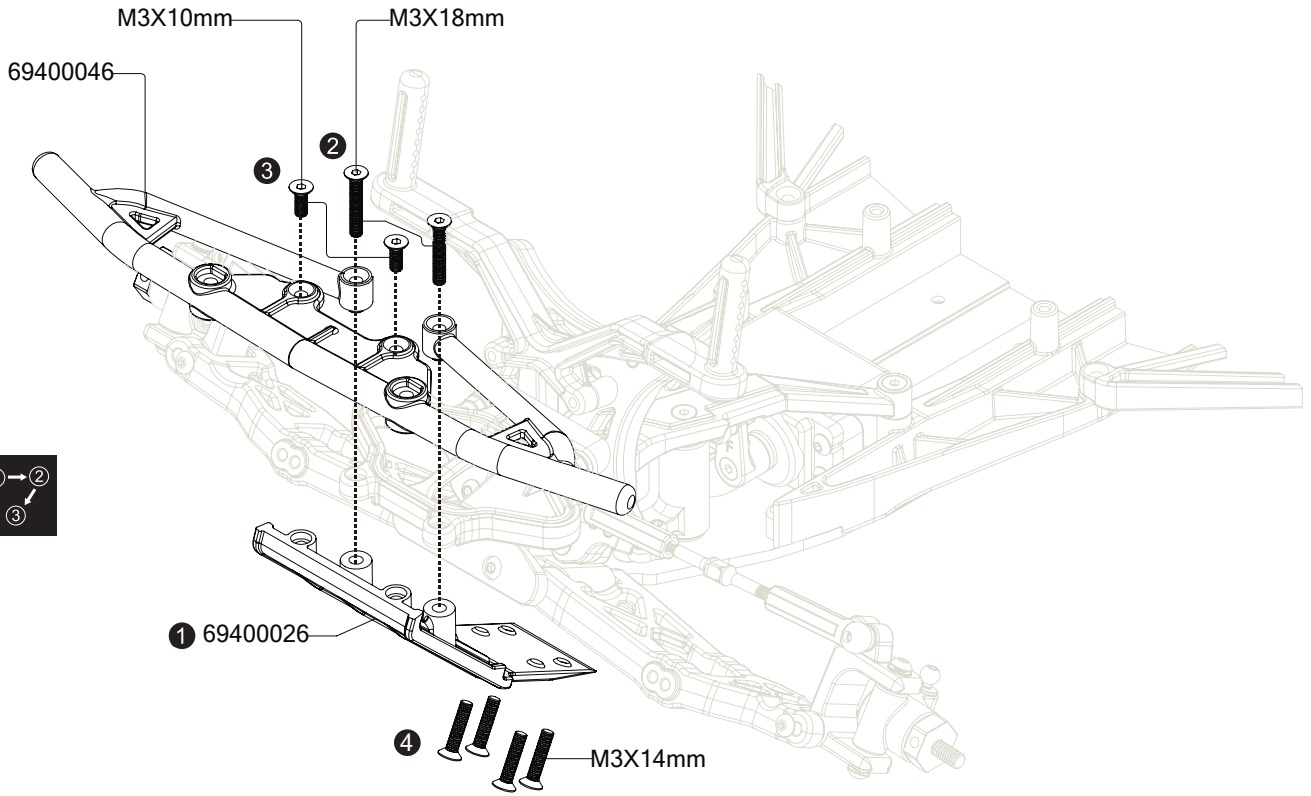
Assemble in the specified order.



BAG
B

B7 Front Suspension

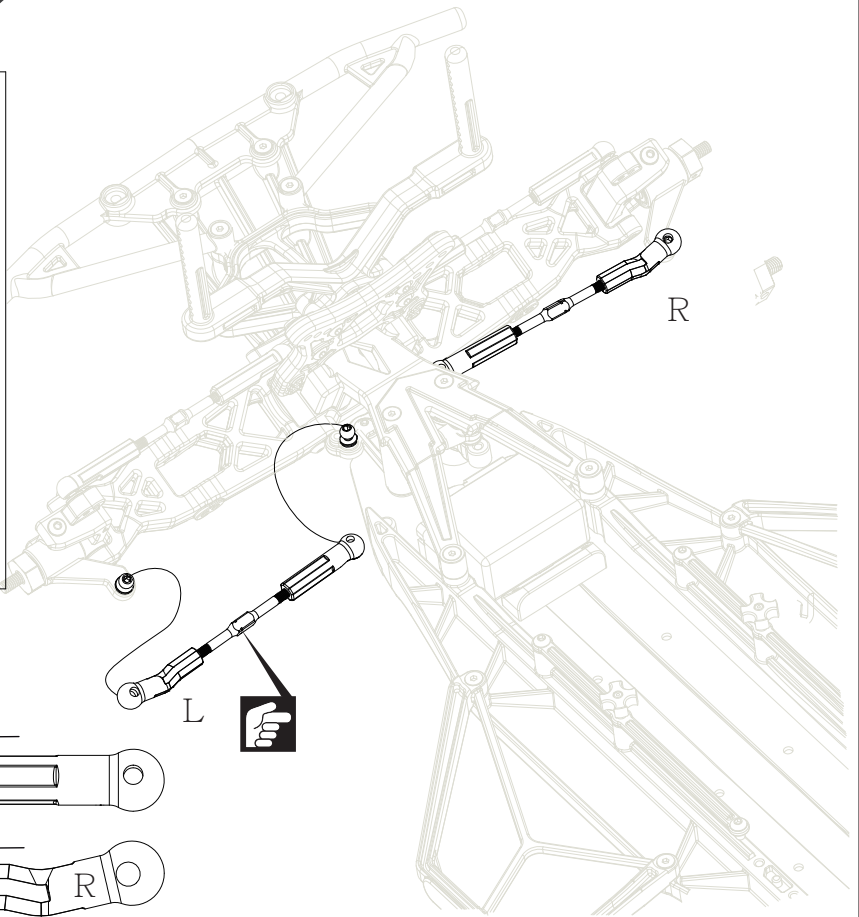
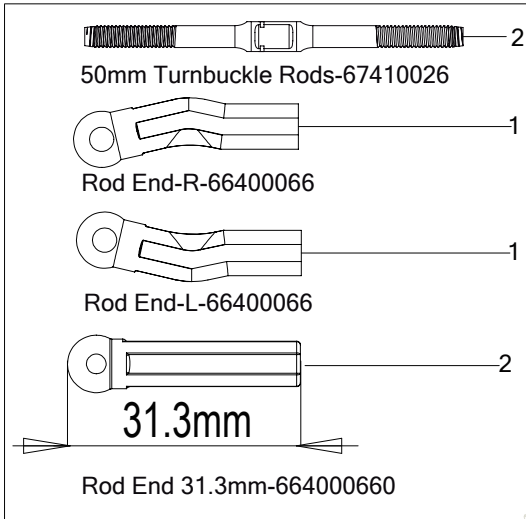
-  2
M3X10mm Flat Head Hex Screw -82400106
-  4
M3X14mm Flat Head Hex Screw -82400046
-  2
M3X18mm Flat Head Hex Screw -82400126



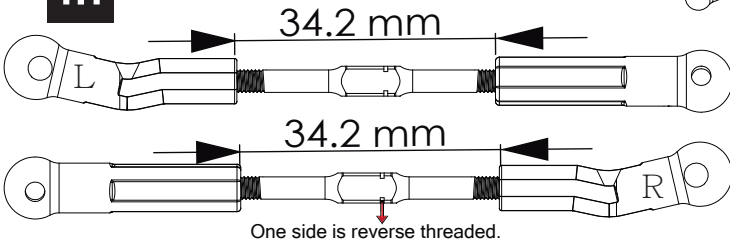


B8 Front Suspension

BAG B

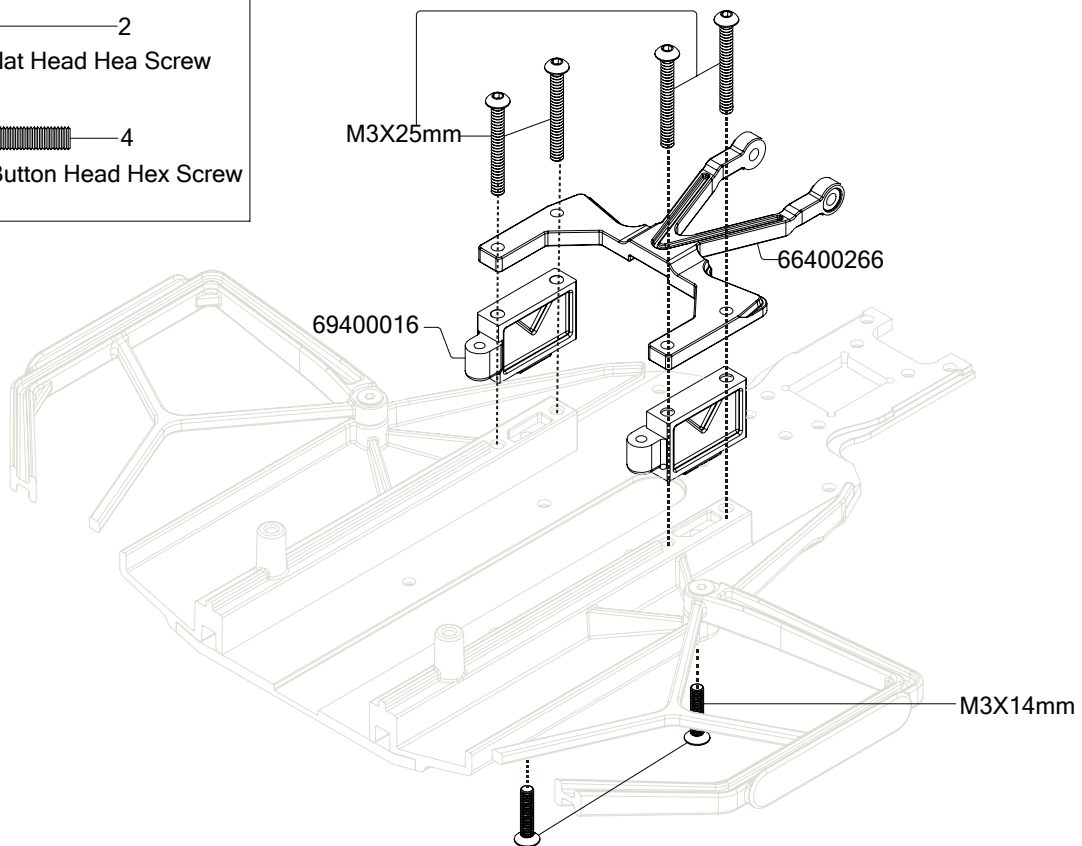
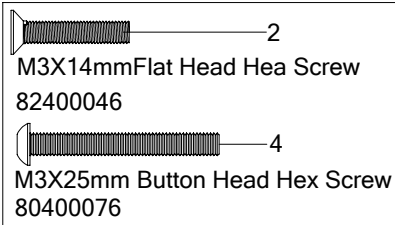


1:1



C1 Battery Tray

BAG C



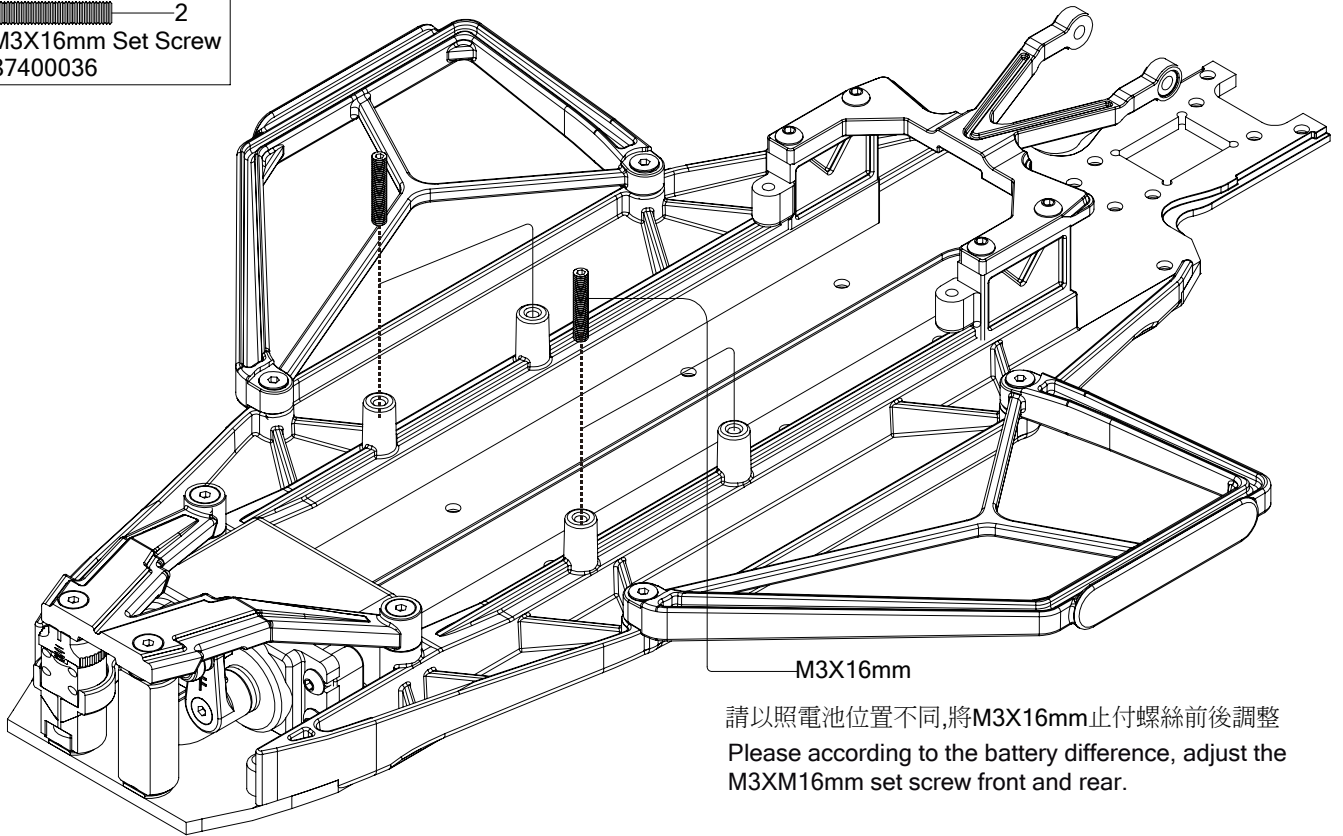
L
R



C2 Battery Column



2
M3X16mm Set Screw
87400036



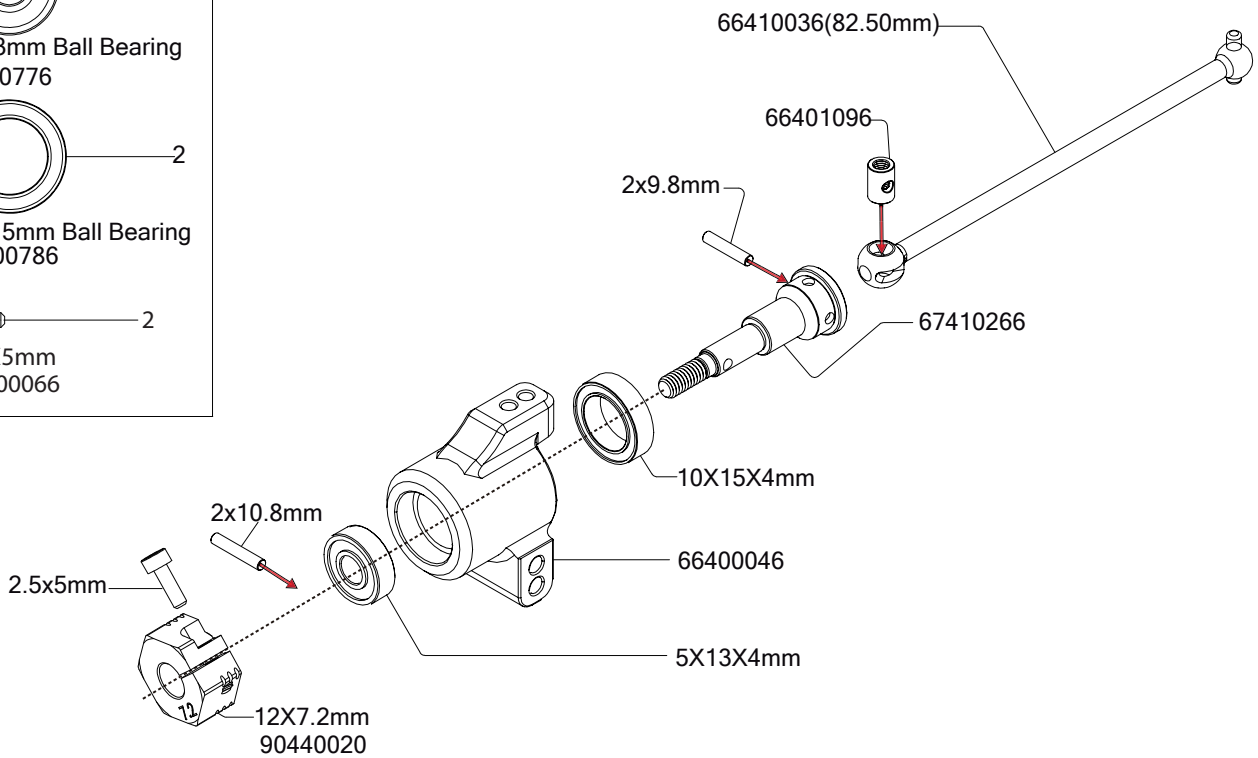
M3X16mm

請以照電池位置不同,將M3X16mm止付螺絲前後調整
Please according to the battery difference, adjust the M3XM16mm set screw front and rear.

C3 Rear Hub & CV





- 2
5X13mm Ball Bearing
66400776
- 2
10X15mm Ball Bearing
66400786
- 2
M2X5mm
87400066

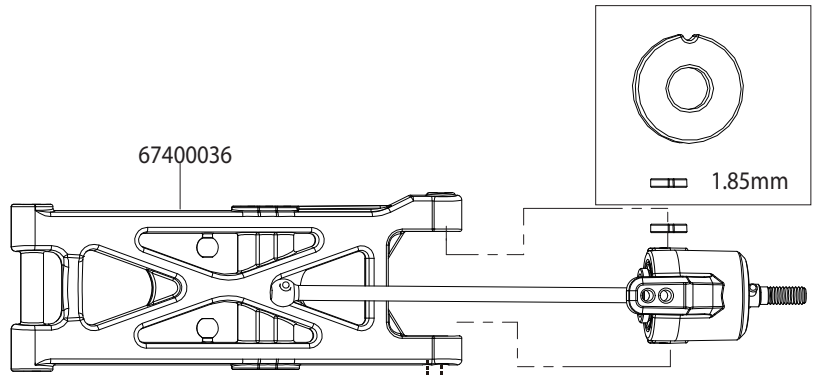




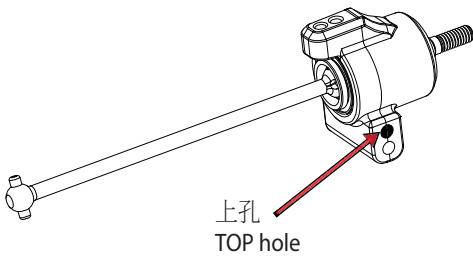
C4 Rear Hub [Left Side]



-  2
2.5x4mm Button Head Hex Screw
80400016
-  2
3x36.8mm pin-66430110



Fornt



上孔
TOP hole


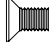


Please modify elasticity
by this screw.
For swing arm smooth

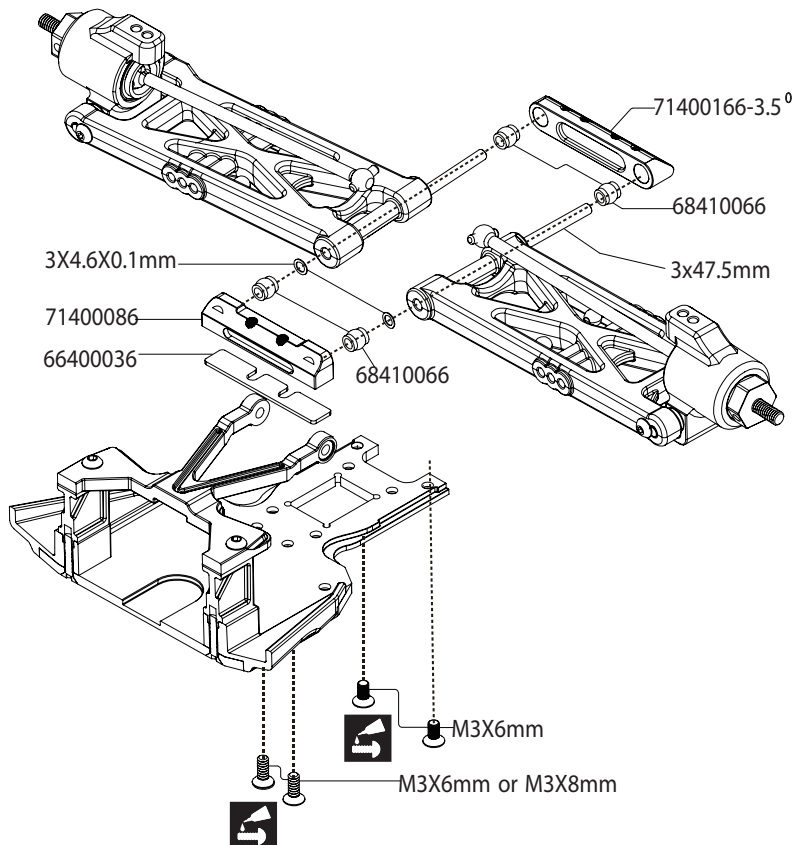
M2.6x4mm



C5 Rear Suspension



-  2
M3X6mm Flat Head Hex Screw
82400016
-  2
M3X8mm Flat Head Hex Screw
82400026
-  2
3X4.6X0.1mm Washer
85440220
-  2
3X47.5mm-66430120



Part Bags used.



Note the direction.



Assemble left and right
sides the same way.



Apply threadlocker (screw cement)



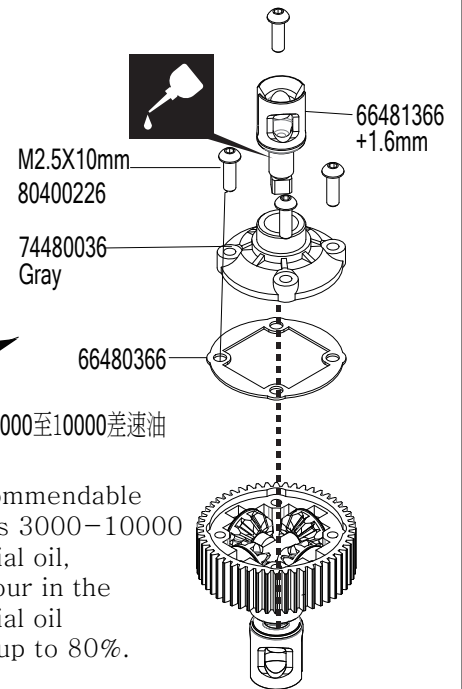
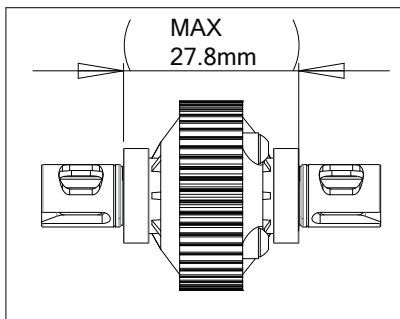
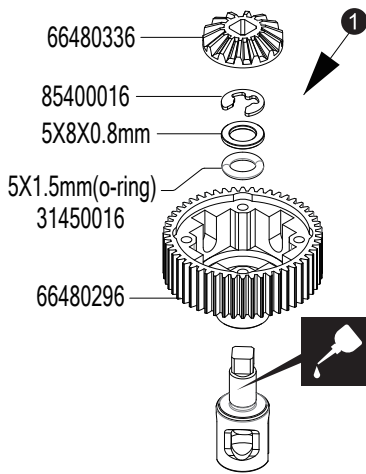
D1(A) Gear Differential

4
M2.5X10mm Flat Head Screw 80400226

2
5X8x0.8mm Shim
85440170

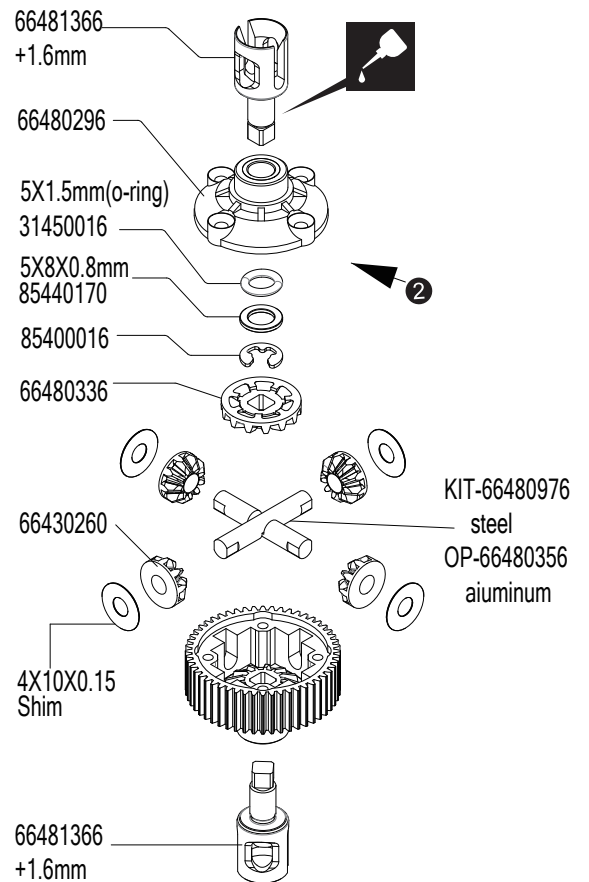
4
4X10x0.15mm Shim
85440160

2
3.5mmE buckle
85400016



建議濃度為3000至10000差速油
灌至八分滿

The recommendable density is 3000-10000 differential oil, please pour in the differential oil reached up to 80%.



Part Bags used.



Assemble in the specified order









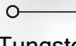

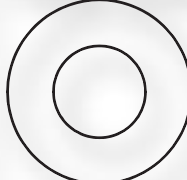

Apply threadlocker (screw cement)



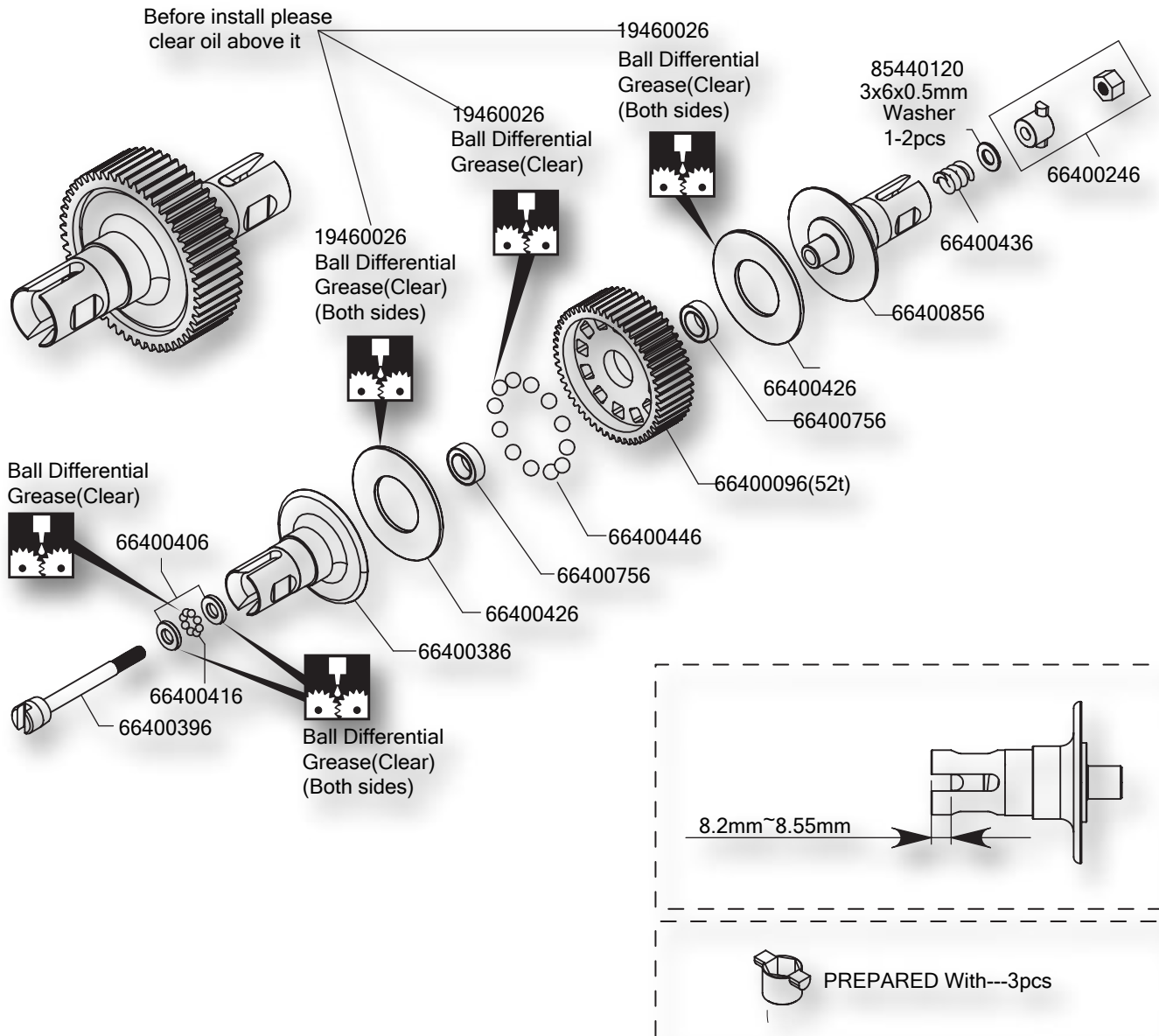
Apply oil.



D1(B) Ball Diff Version Option Parts

	1				1
Differential Studs		3.0mm Carbide Diff Ball Set		3x6x0.5mm Washer	
	2		2		1
Differential Washer		5x8x2.5mm Ball Bearing		Differential Oil	
	8		1		
Tungsten Carbide Thrust Ball Set		Differential Spring			
	2		1		
Drive Ring		Differential Nut Holder			


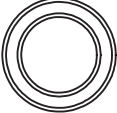
Ball Diff Version (PART NO:66401266)

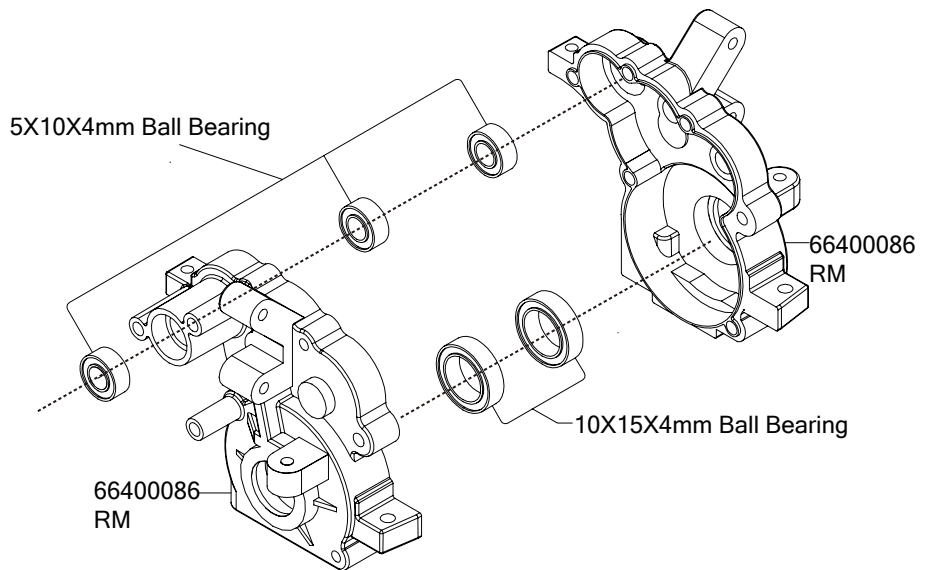





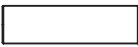
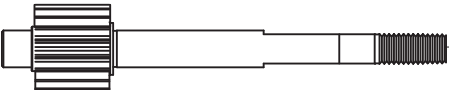
D2 Motor Mounts [Rear Motor]

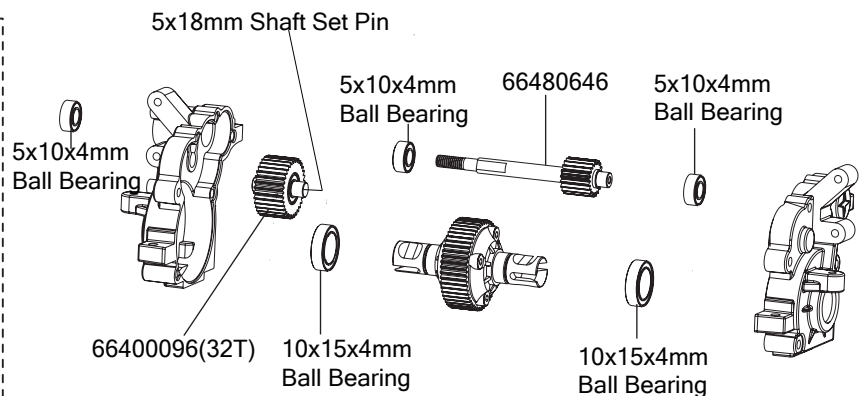
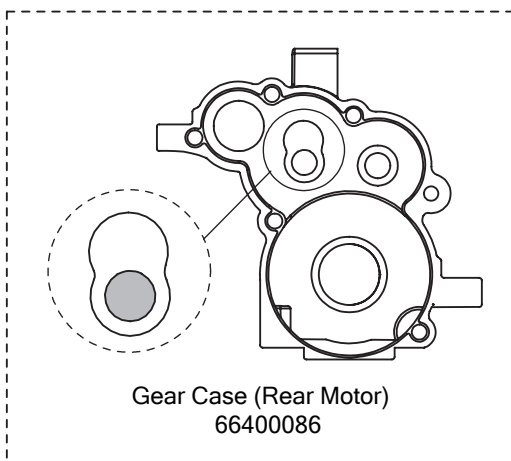
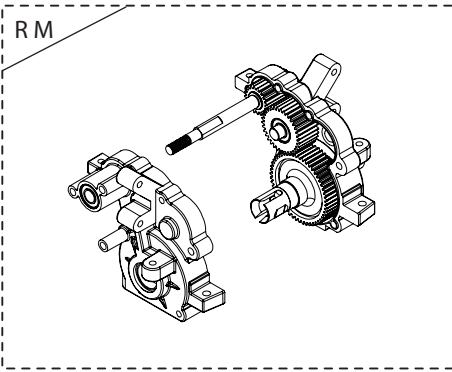


-  3
5x10x4mm Ball Bearing -66400766
-  2
10x15x4mm Ball Bearing -66400786







D3 Transmission Assembly [Rear Motor]

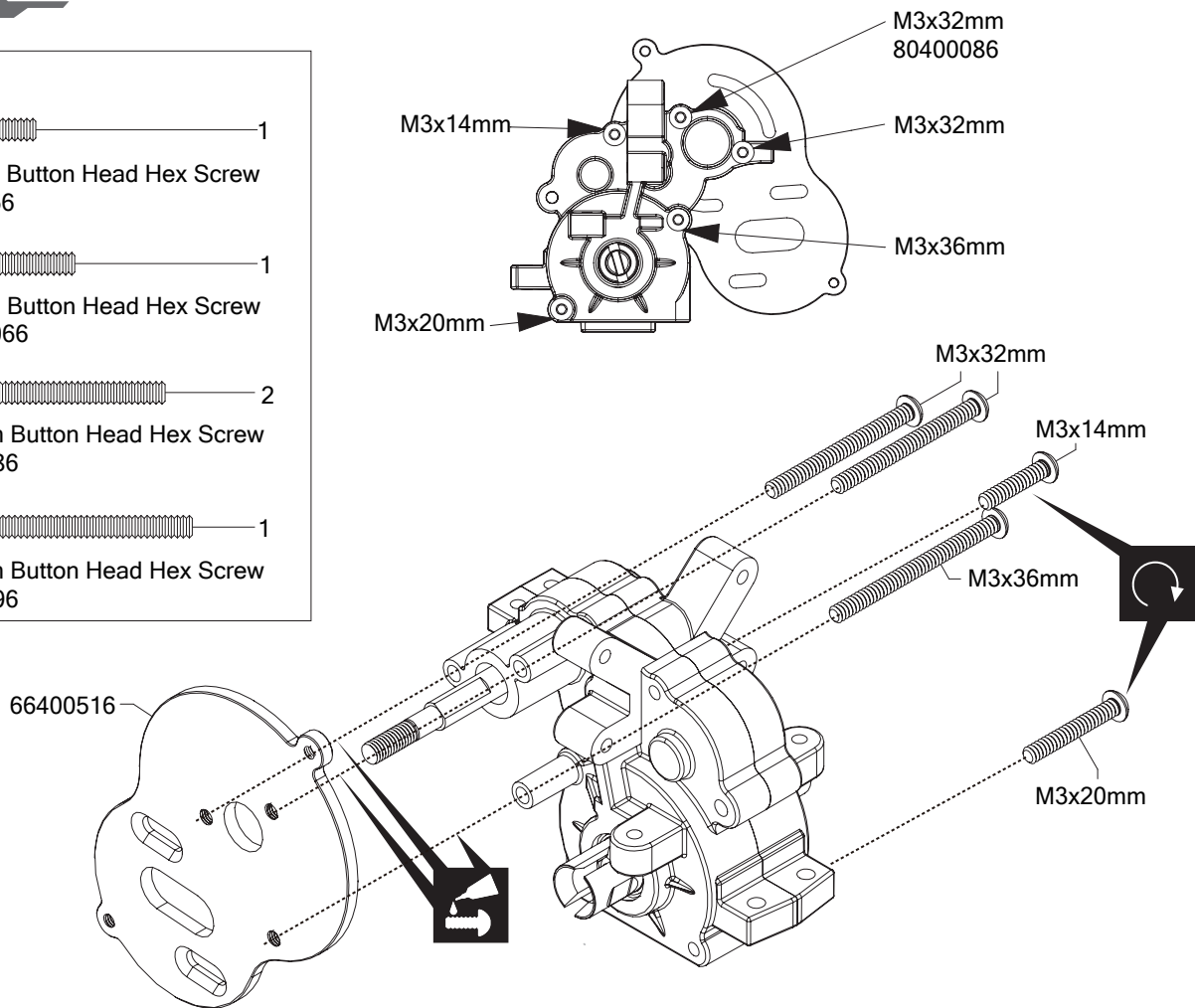
-  2
5x10x4mm Ball Bearing
66400766
-  2
5x18mm Shaft Set Pin
79400056
-  1
Light Whight(20t) -66480646



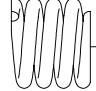



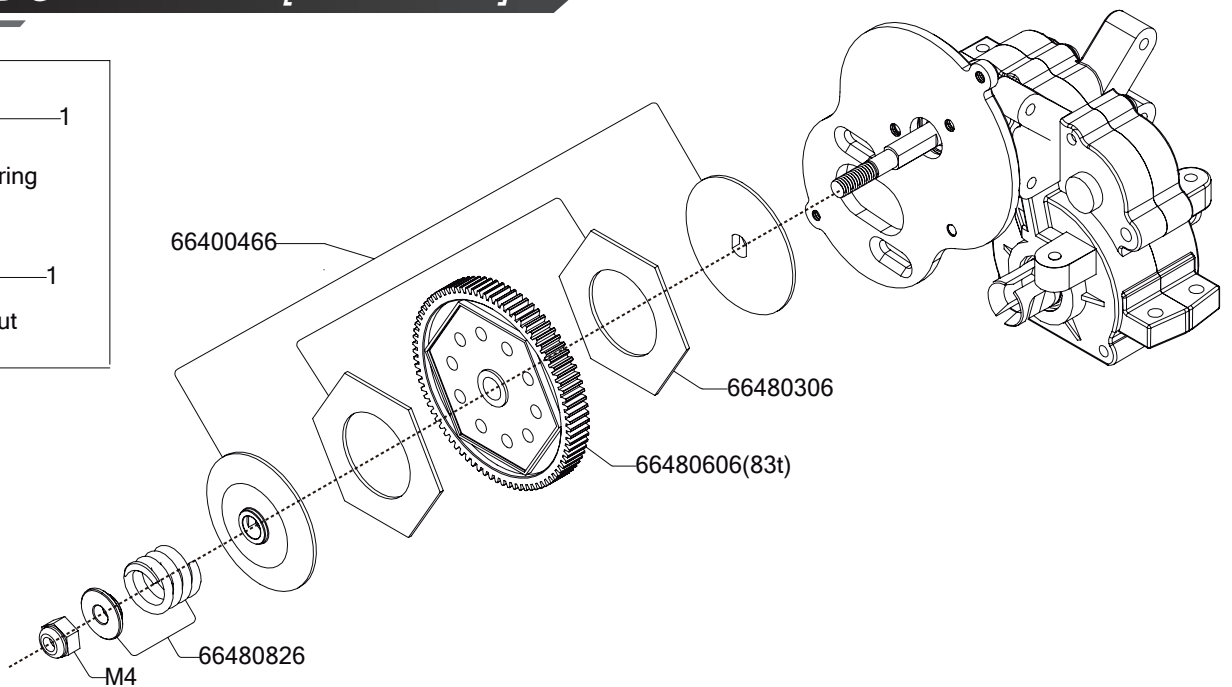
D4 Motor Mounts [Rear Motor]

-  1
3x14mm Button Head Hex Screw
80400056
-  1
3x20mm Button Head Hex Screw
80400066
-  2
3x32mm Button Head Hex Screw
80400086
-  1
3x36mm Button Head Hex Screw
80400096



D5 Main Gear [Rear Motor]

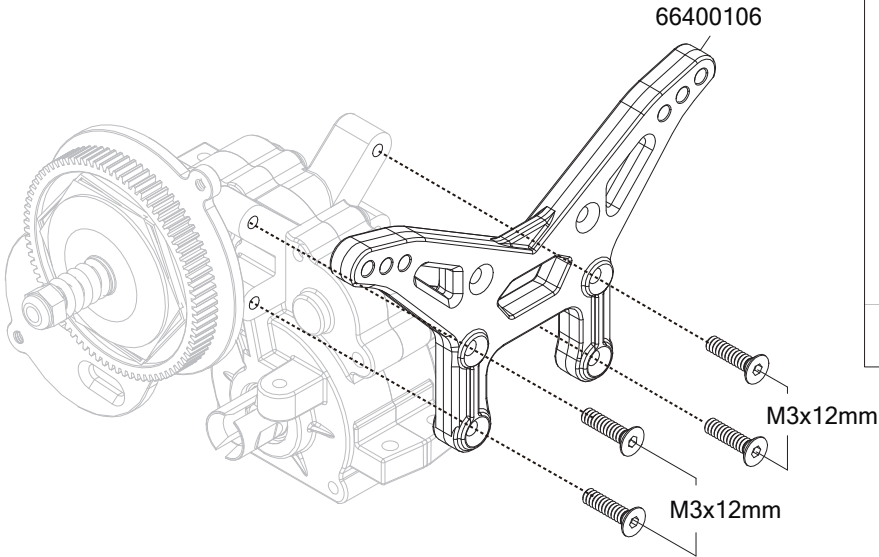
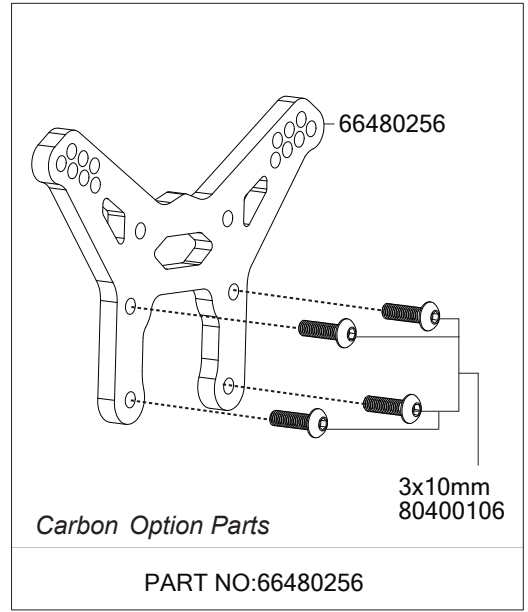
-  1
Slipper Spring
66480826
-  1
M4 Lock Nut
83400036





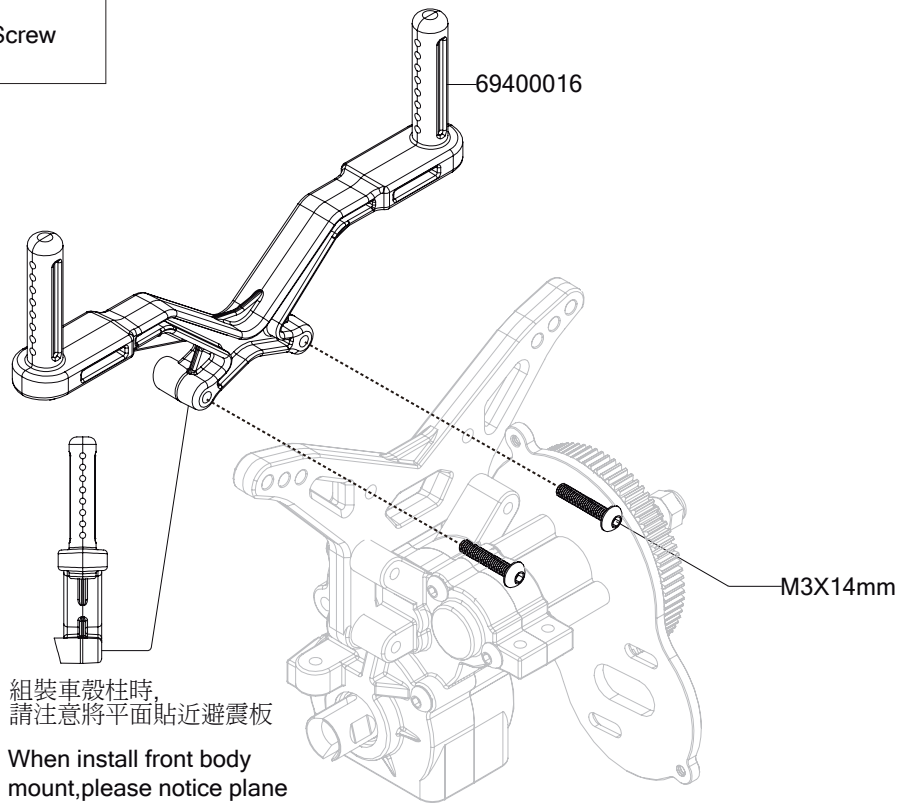
D6 Rear Shock Stay [Rear Motor]

4
3x12mm Flat Head Hex Screw
82400036



D7 Wing Mount [Rear Motor]

2
3x14mm Button Head Hex Screw
80400056








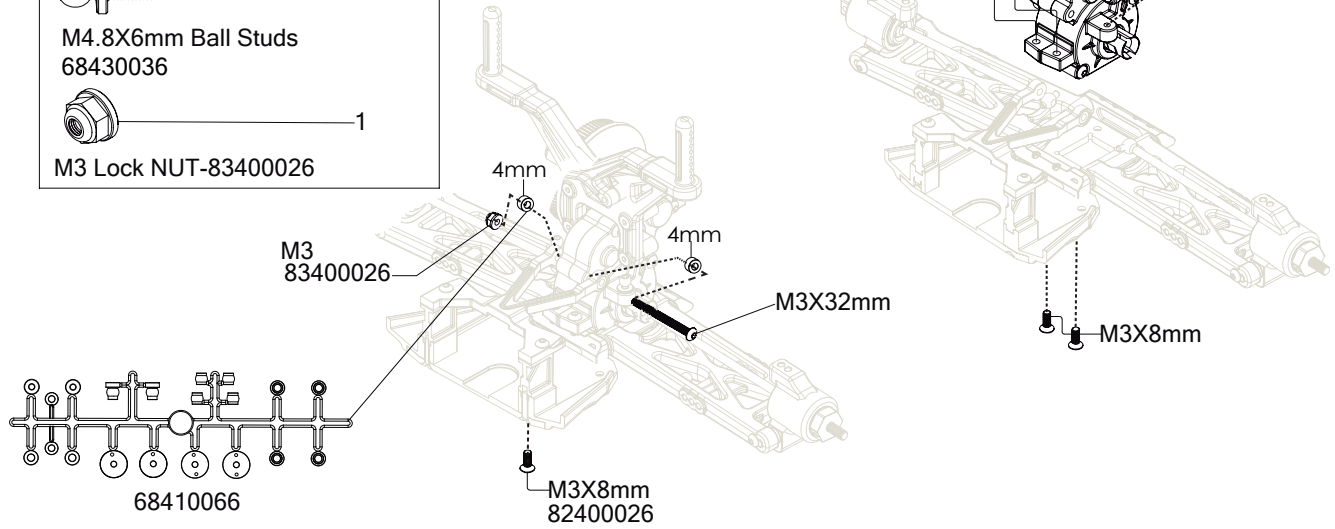
組裝車殼柱時，
請注意將平面貼近避震板

When install front body
mount, please notice plane
close to front shock tower.


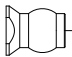



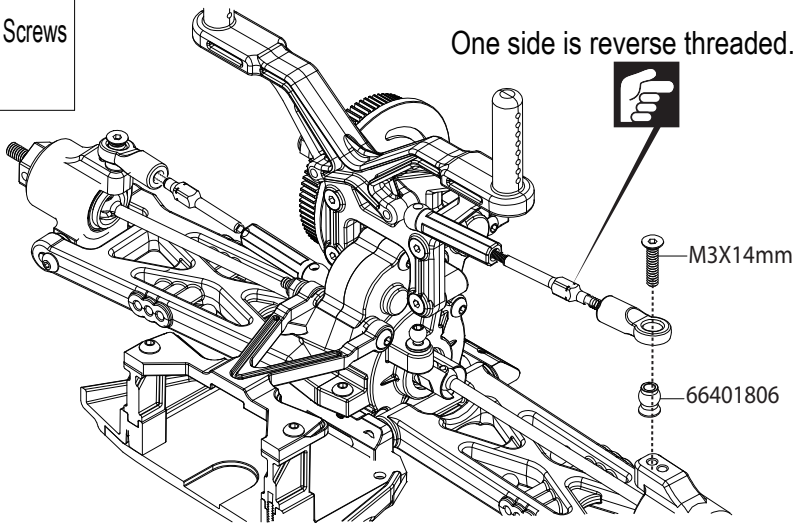
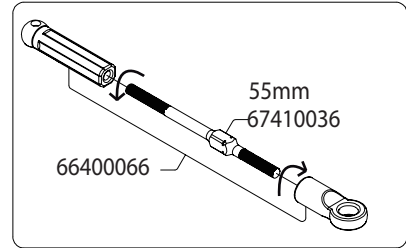
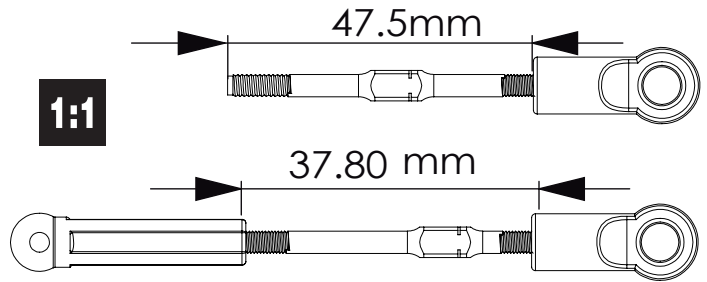
D8 Rear Gear Box

-  3
M3X8mm Flat Head Hex Screw
82400026
-  2
M3X8mm Button Head Hex Screw
80400036
-  1
M3X32mm Button Head Hex Screw
80400086
-  2
M4.8X6mm Ball Studs
68430036
-  1
M3 Lock NUT-83400026



D9 Rear Suspension

-  2
77430066-55mm Turnbuckles
-  2
66401806-Ball Joint
-  2
M3x15 mm Flat Head Screws
82400176



Part Bags used.



Note the direction.



Apply threadlocker (screw cement)



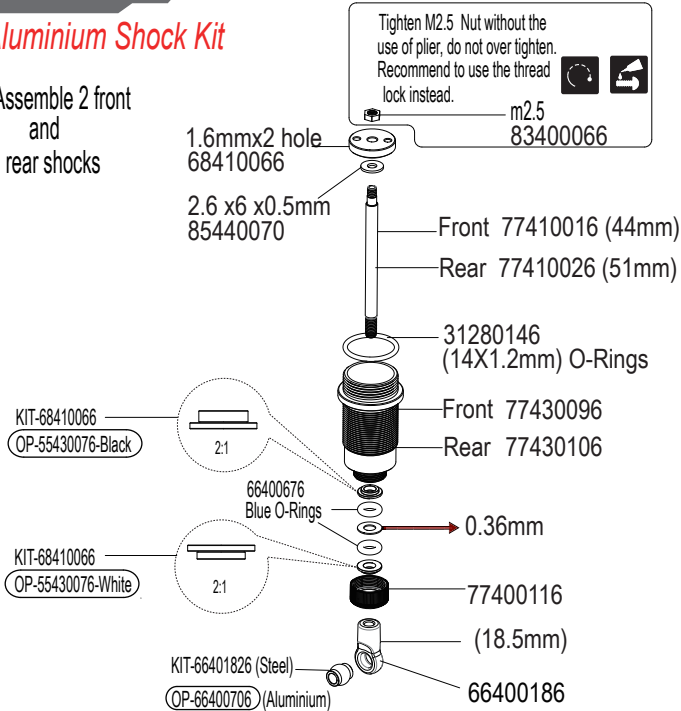
True-to-scale d



E1 Front & Rear Shock Assembly-R

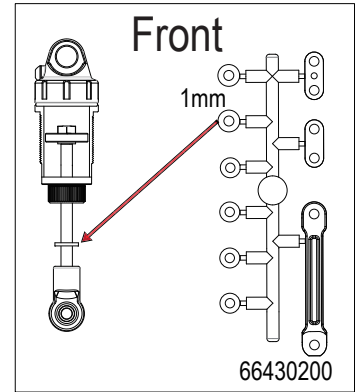
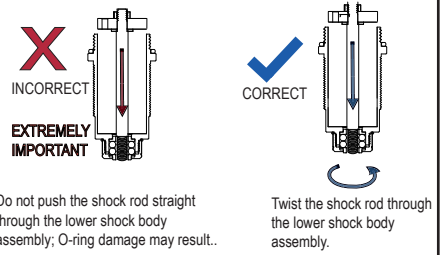
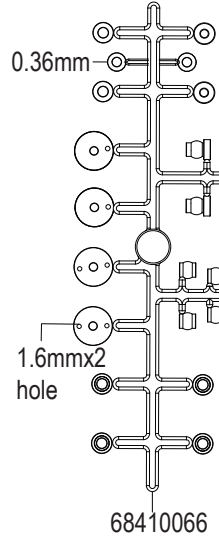
Aluminium Shock Kit

Assemble 2 front and 2 rear shocks



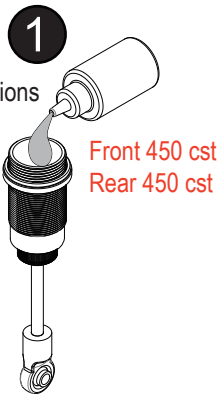
Tighten M2.5 Nut without the use of plier, do not over tighten. Recommend to use the thread lock instead.

m2.5 83400066

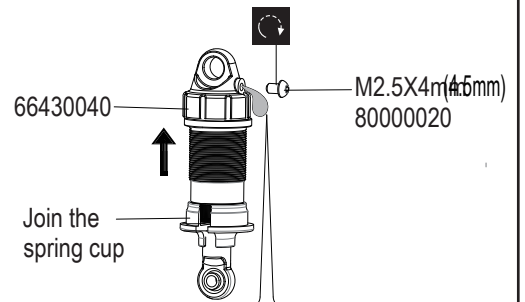
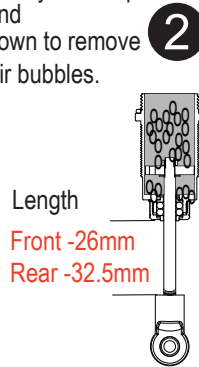


E1.1

After first drive adjust for track conditions



Slowly move up and down to remove air bubbles.



Slowly push the shock shaft all the way up, wipe away any excess oil that has seeped out, and screw in the bleeder screw.

Front Build x2

Rear Build x2



E1.2

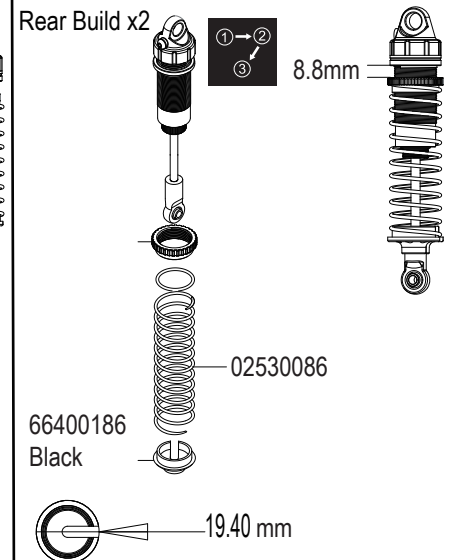
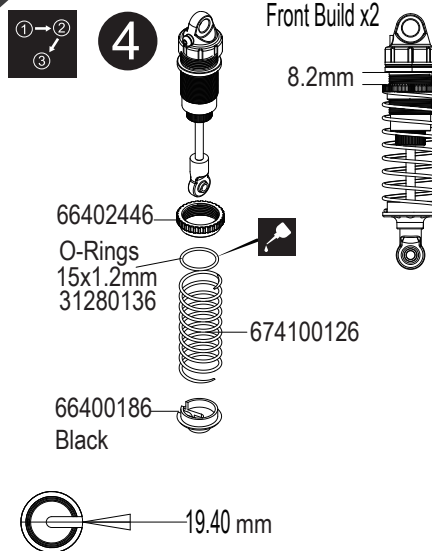
2019 PR 1/10 Type R Shock Spring

71530016-Type R Front Shock Spring Set (Not included-02530016)

PART NO:	Color	kg/mm	lbs/in
02500096	Transparent	0.053	2.97
02500106	Blue	0.058	3.25
02500146	White	0.061	3.42
02500116	Red	0.063	3.53
02500126	Yellow	0.068	3.81
02530016	Green	0.075	4.20
02530026	Black	0.080	4.48
02530036	Blue Red	0.085	4.76
02530046	White Yellow	0.090	5.04
02530116	Green Black	0.098-(RT)	5.88-(RT)



71530026-Type R Rear Shock Spring Set (Not included-02530126)

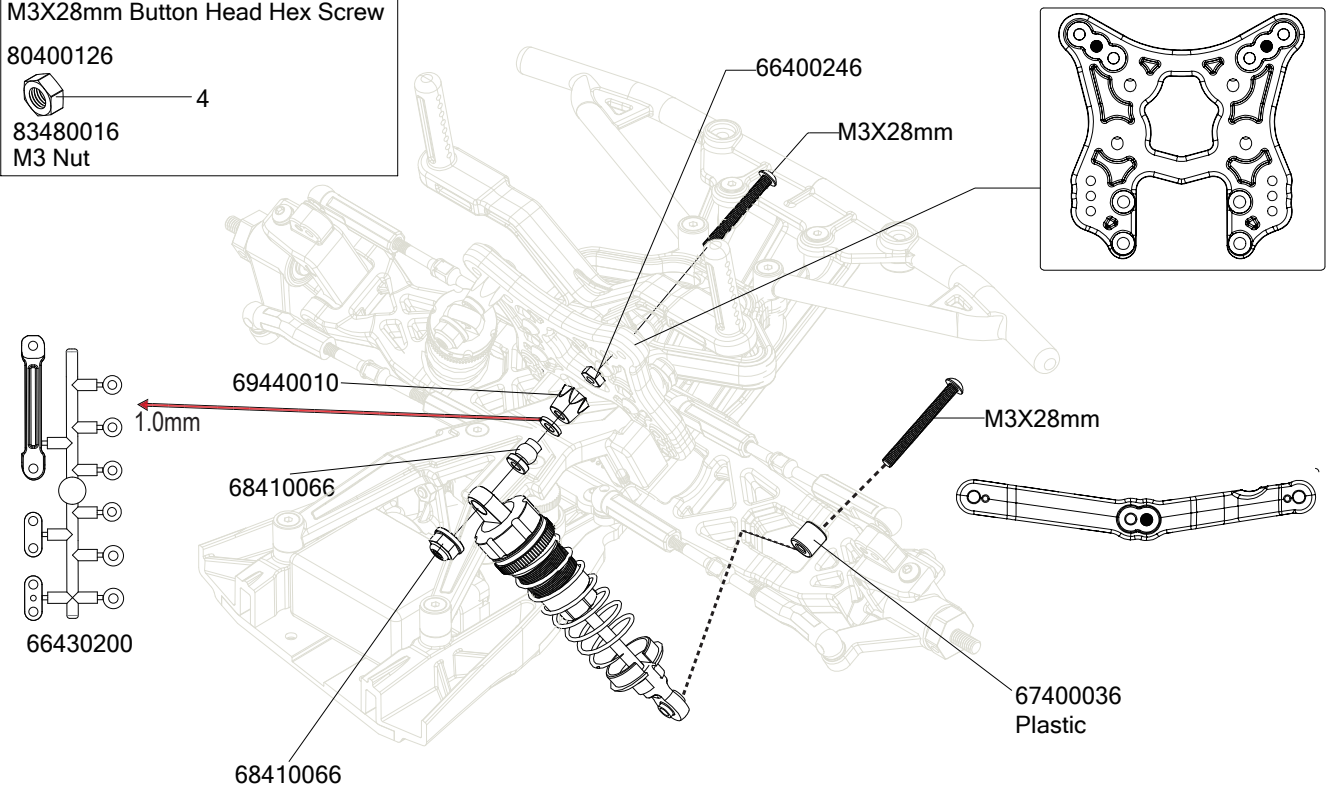
PART NO:	Color	kg/mm	lbs/in
02500056	Transparent	0.030	1.80
02500066	Blue	0.035	2.10
02500136	White	0.037	2.22
02500076	Red	0.040	2.40
02500086	Yellow	0.045	2.70
02530056	Green	0.050	3.00
02530066	Black	0.055	3.30
02530076	Blue Red	0.060	3.60
02530086	White Yellow	0.065	3.90
02530126	Green Black	0.073-(RT)	4.50-(RT)



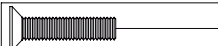



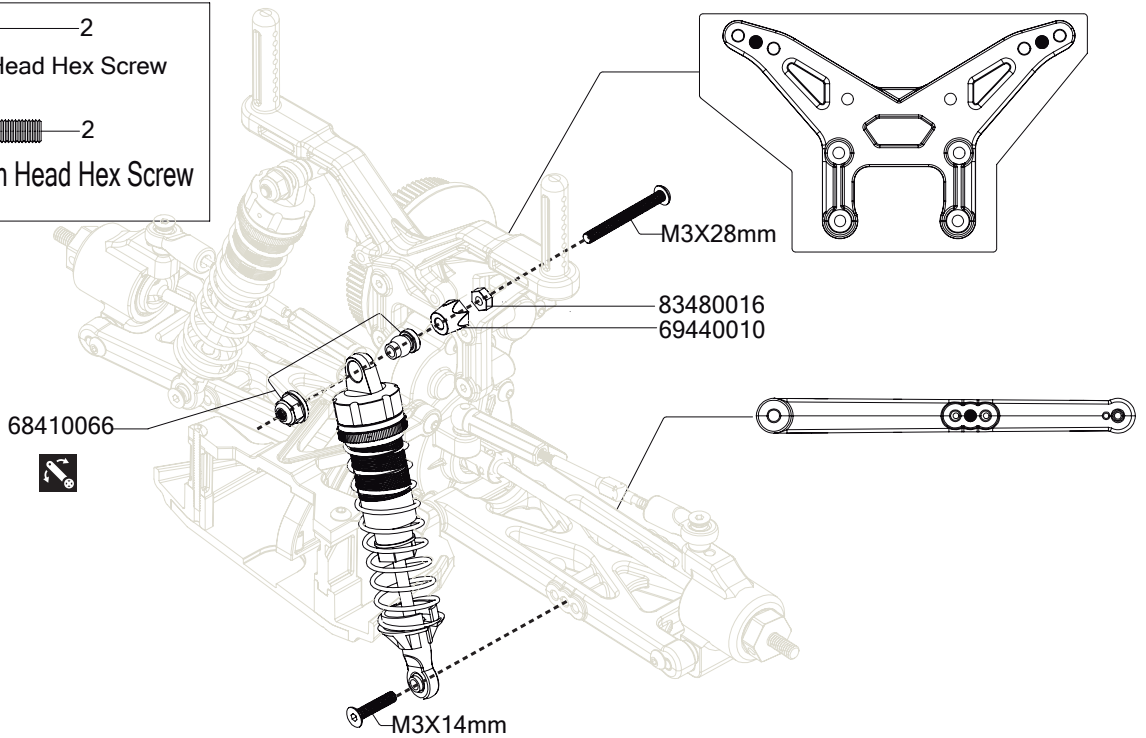
E4 Front Suspension

-  4
M3X28mm Button Head Hex Screw
80400126
-  4
83480016
M3 Nut



E5 Rear Suspension

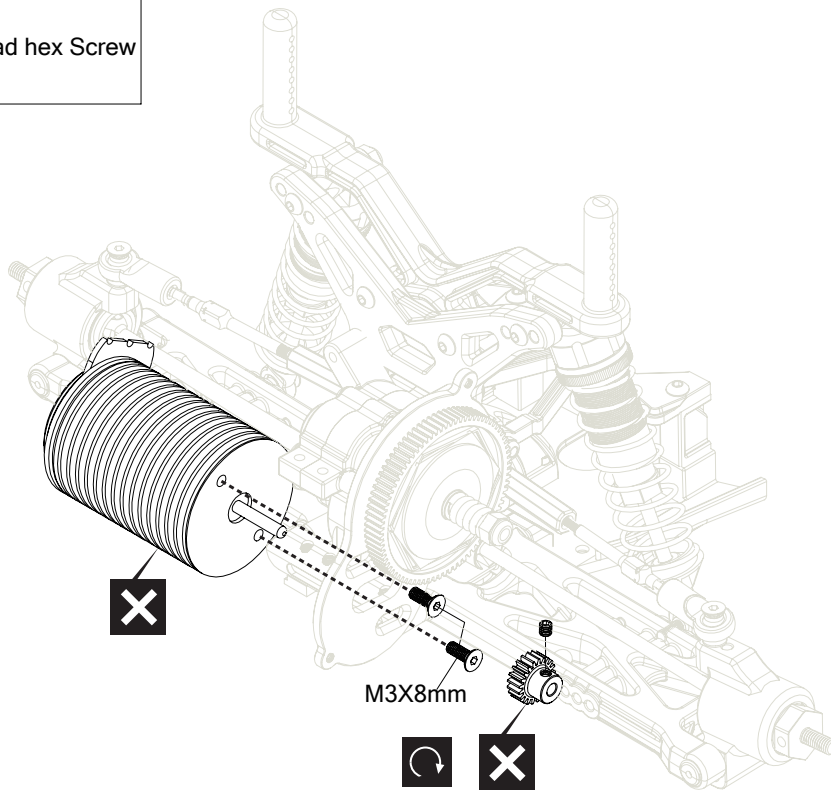
-  2
M3X14mm Flat Head Hex Screw
82400046
-  2
M3X28mm Button Head Hex Screw
80400126





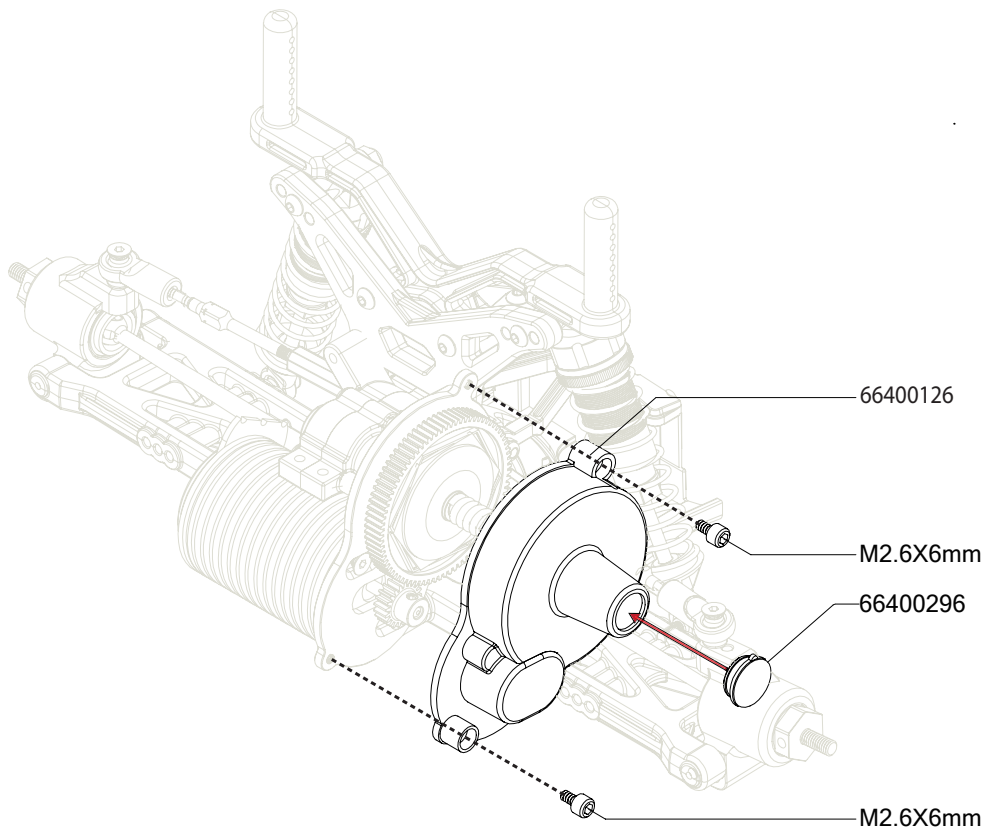
E6 Motor

2
 M3X8mm Flat Head hex Screw
 82400026



E7 Motor

2
 M2.6mm Cap Screw
 87400046

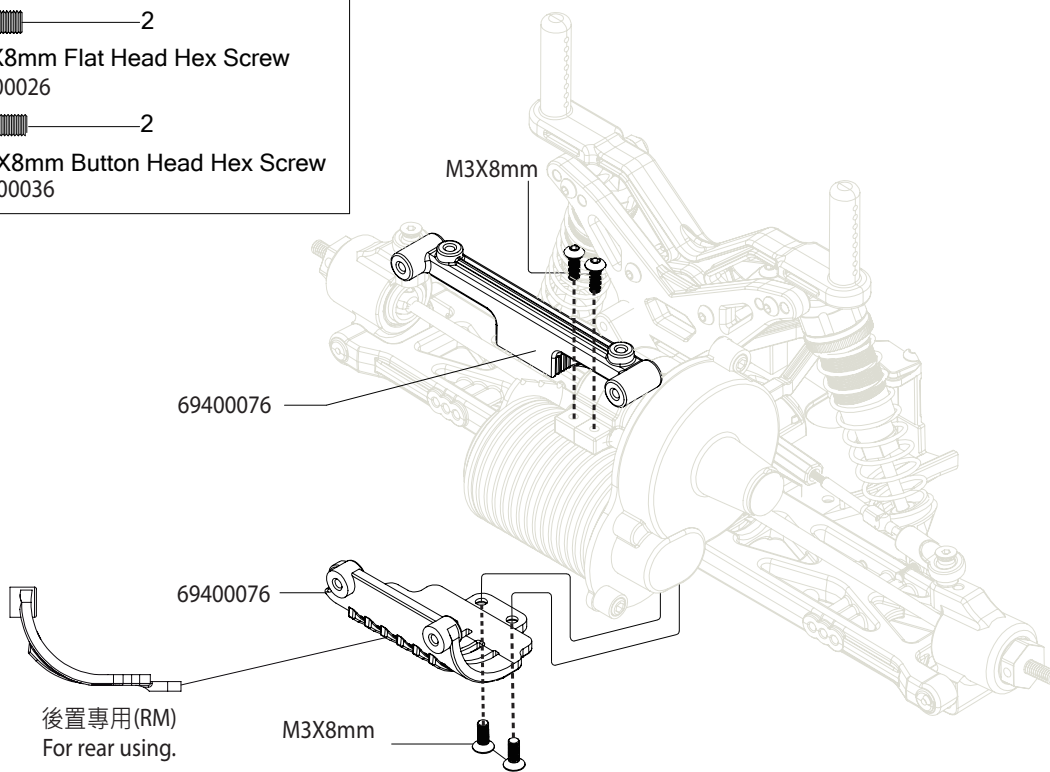




E8 Motor guard

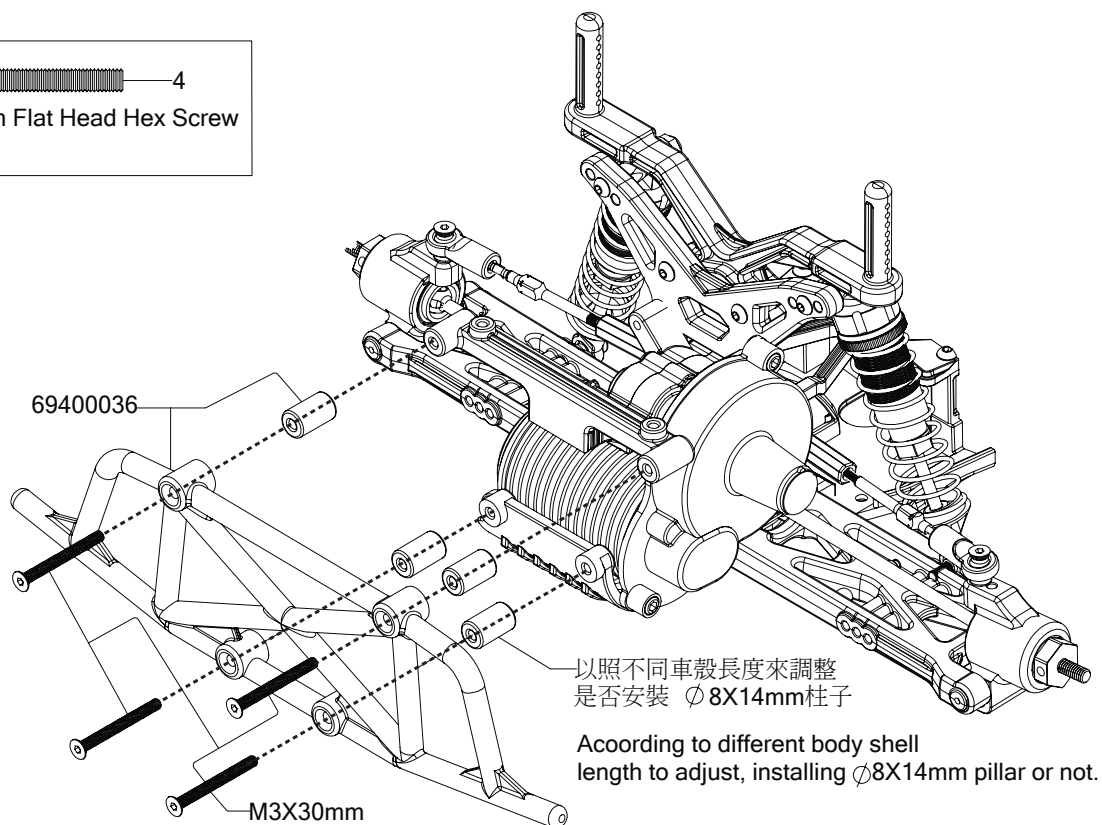
2
M3X8mm Flat Head Hex Screw
82400026

2
M3X8mm Button Head Hex Screw
80400036



E9 Rear Suspension

4
M3X30mm Flat Head Hex Screw
80400136



以照不同車殼長度來調整
是否安裝 Ø8X14mm 柱子

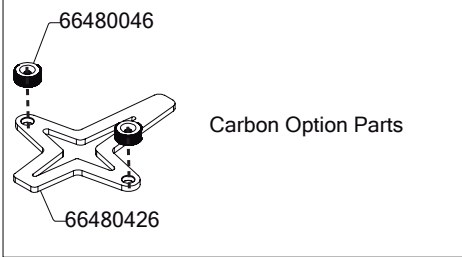
According to different body shell
length to adjust, installing Ø8X14mm pillar or not.

E10 Battery Plate

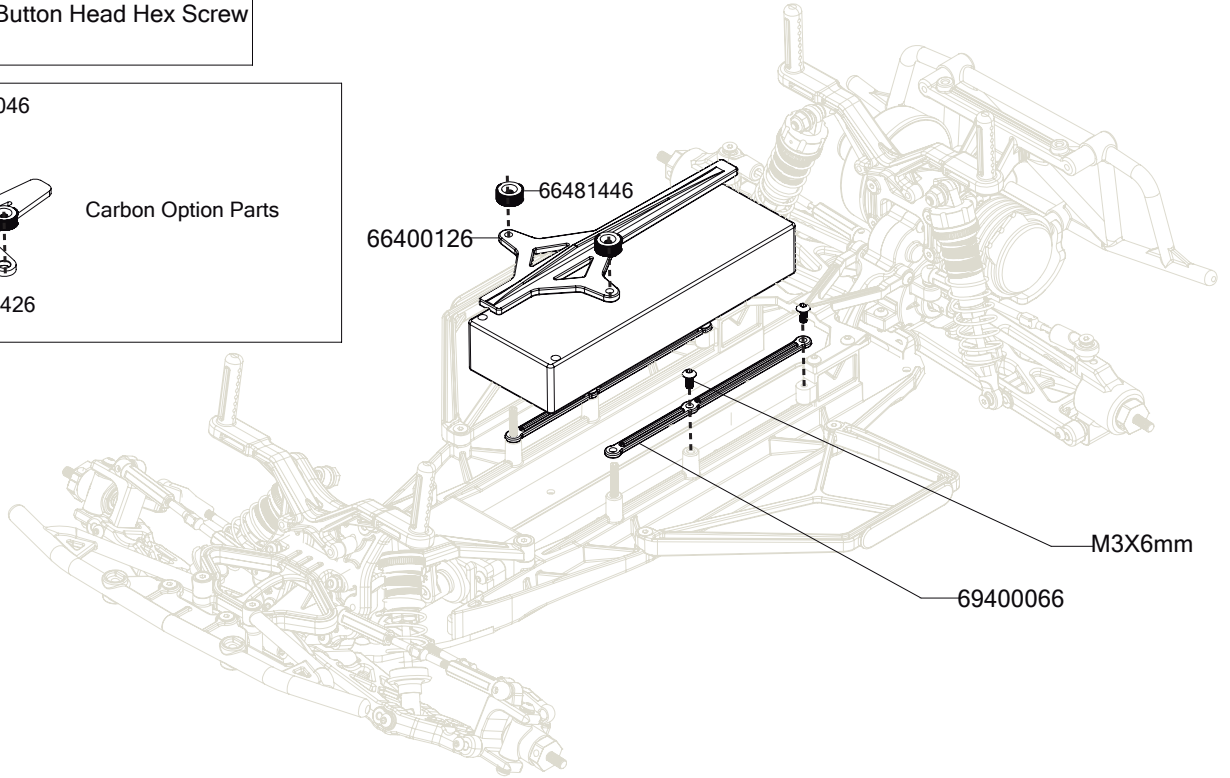
BAG
E



M3X6mm Button Head Hex Screw
80400026



Carbon Option Parts

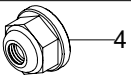


M3X6mm

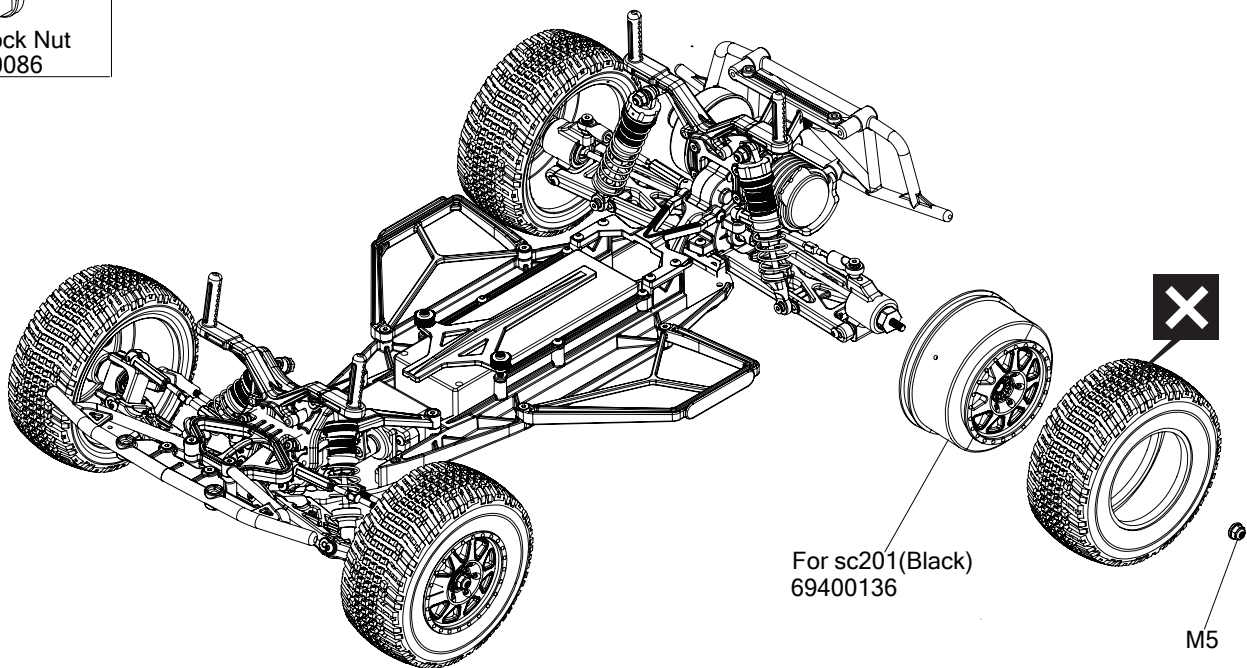
69400066

E11 Tires

BAG
E



M5 Lock Nut
83400086



For sc201 (Black)
69400136

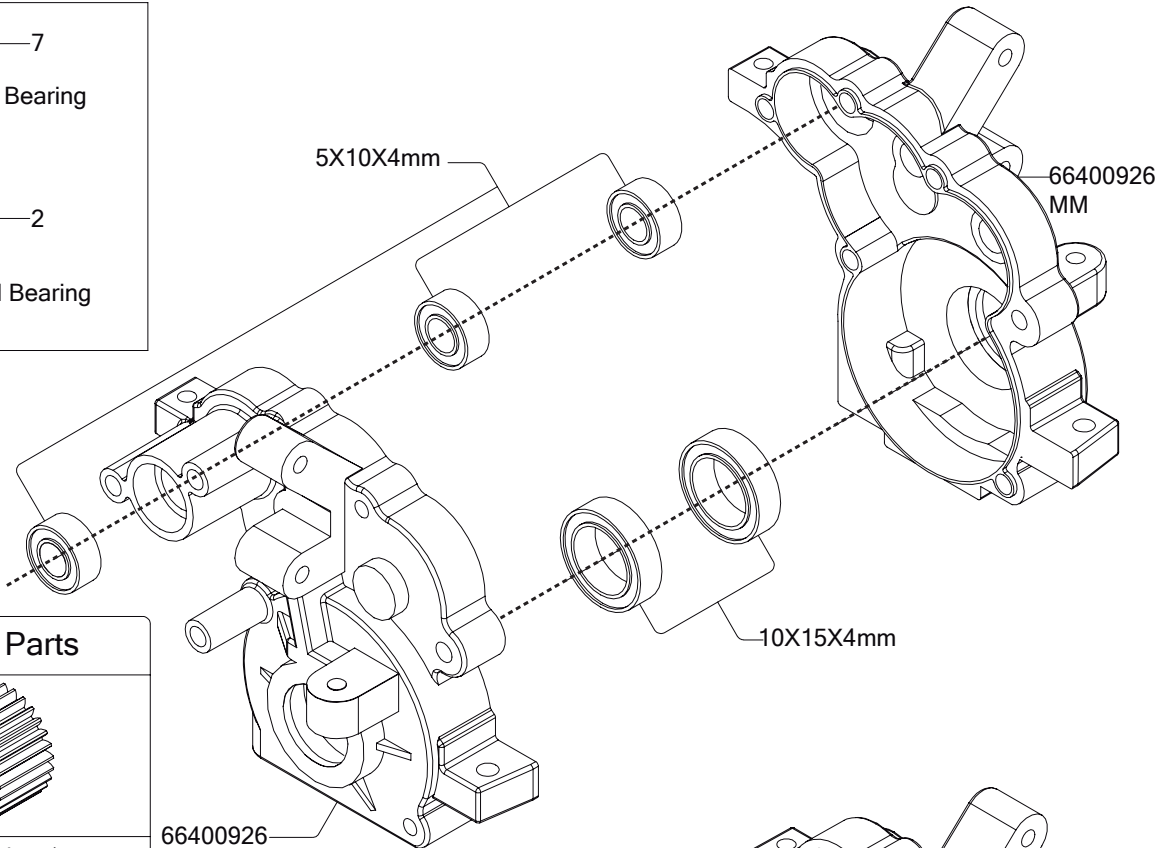
M5



F1 Motor Mounts [Mid Motor]

5X10X4mm Ball Bearing
66400766

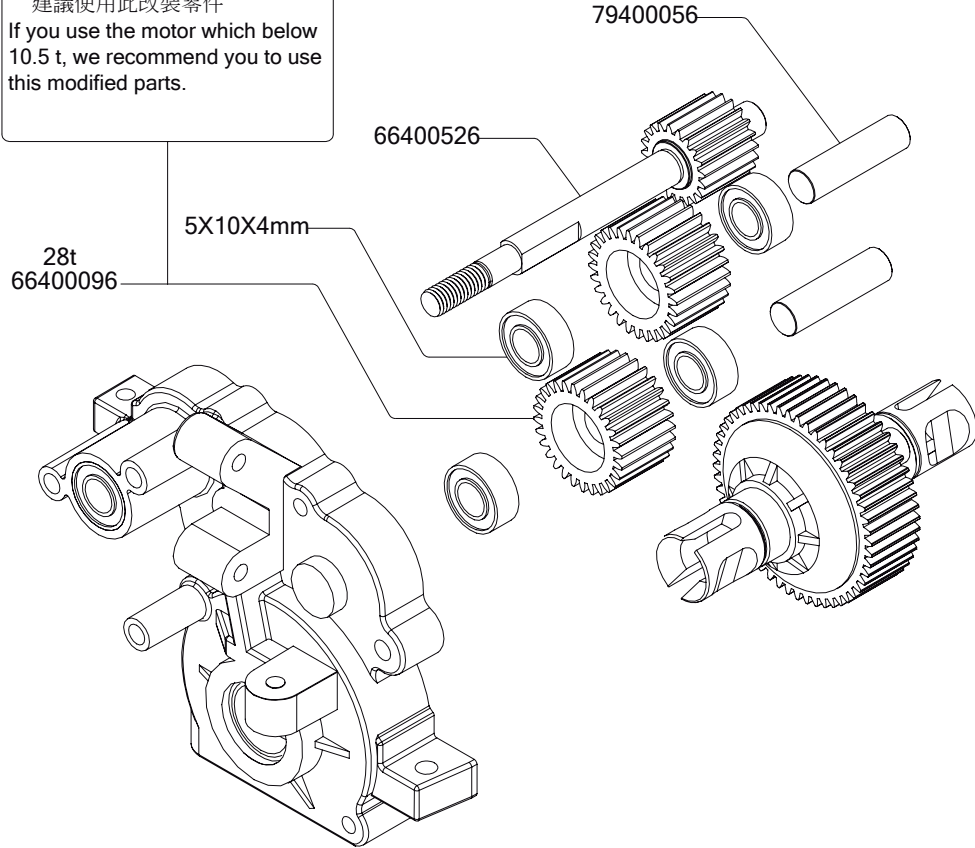
10X15X4mm Ball Bearing
66400786



Option Parts



28t(Aluminum)
66480010

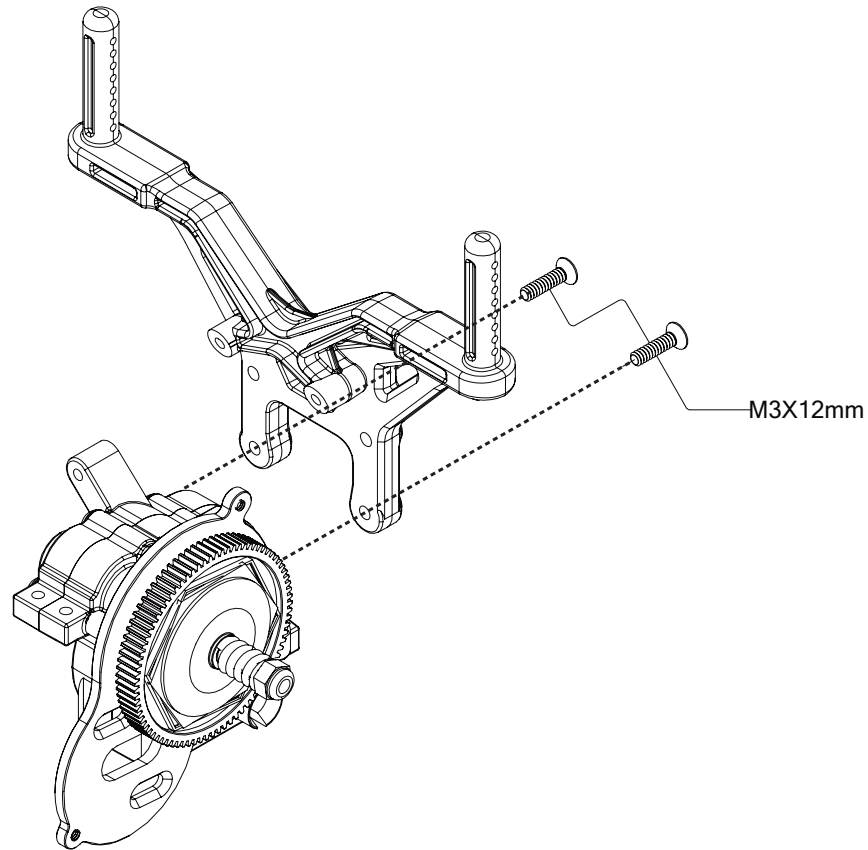
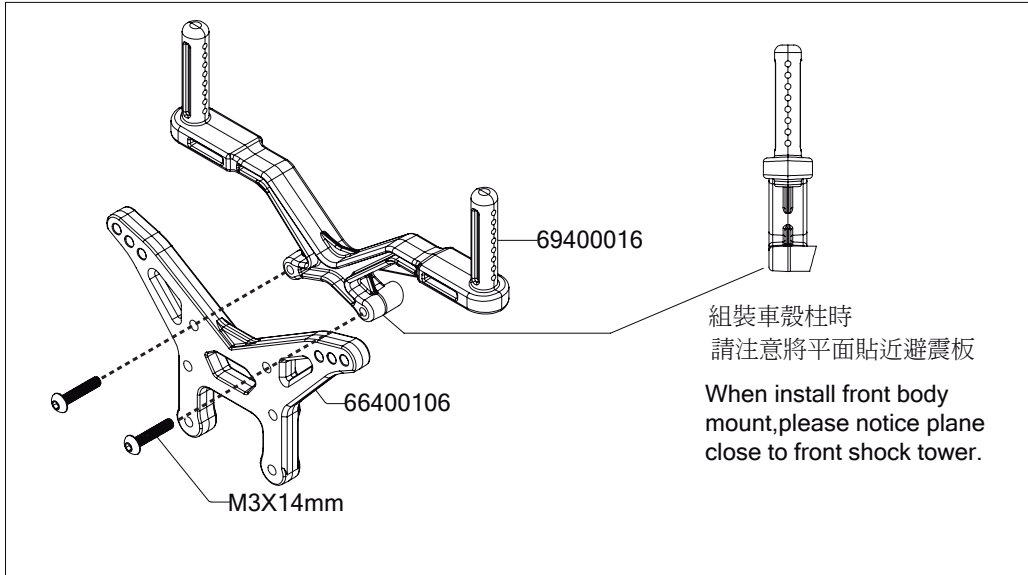
如果馬達使用10.5t以下規格
建議使用此改裝零件
If you use the motor which below
10.5 t, we recommend you to use
this modified parts.





F2 Motor Mounts(Mid Motor)

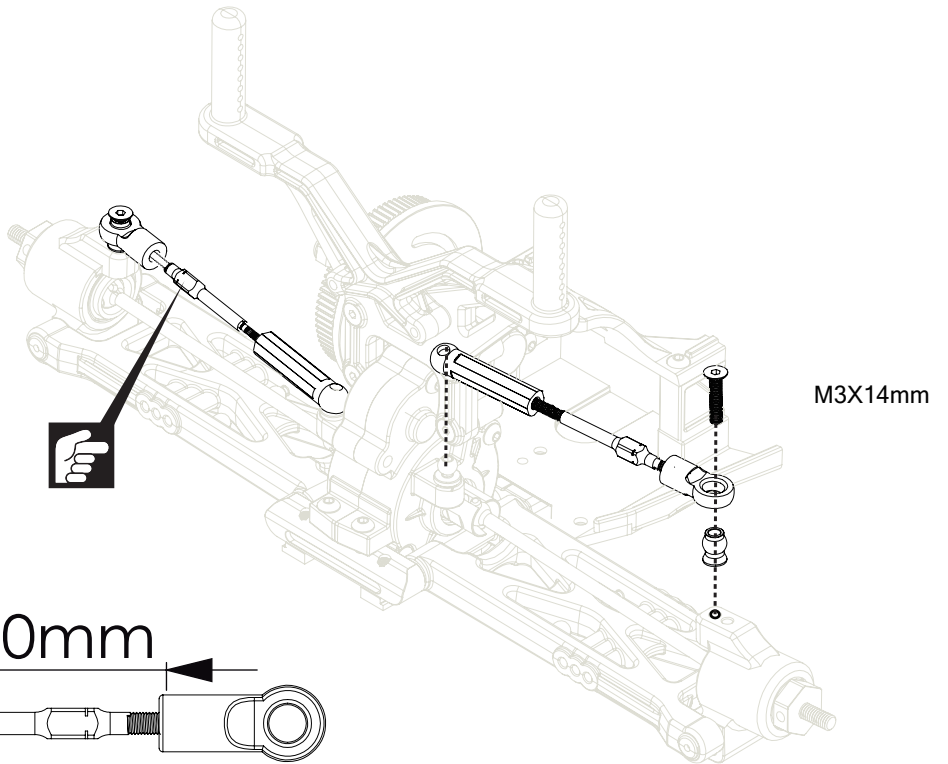
-  2
M3X14mm Button Head Hex Screw
80400056
-  2
M3X12mm Flat Head Hex Screw
82400036







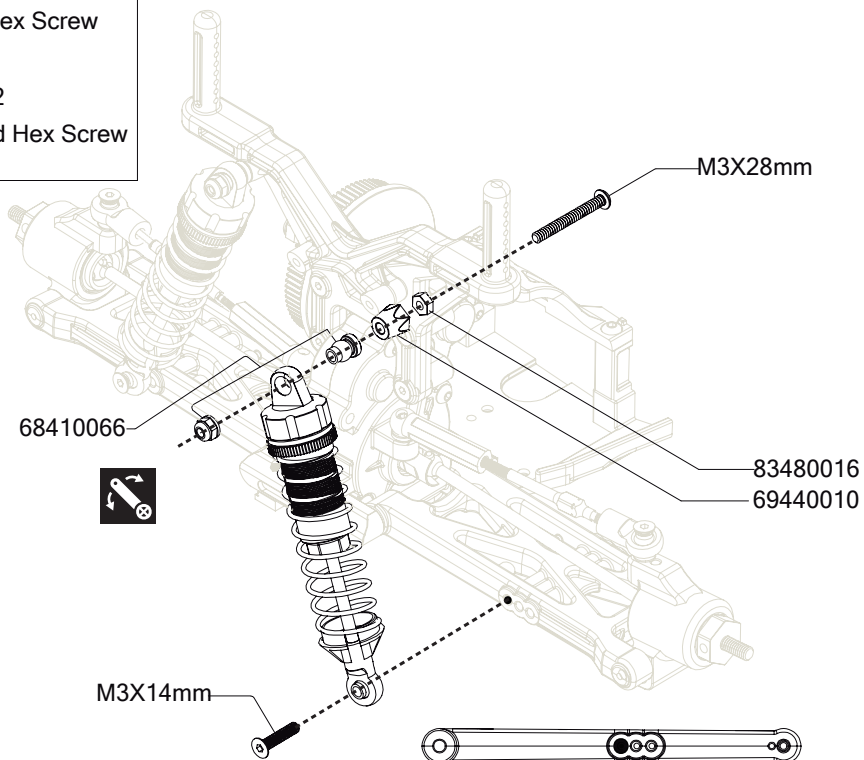
F3 Rear Suspension

 — 2
 M3X14mm Flat Head Hex Screw
 82400046



F4 Rear Suspension

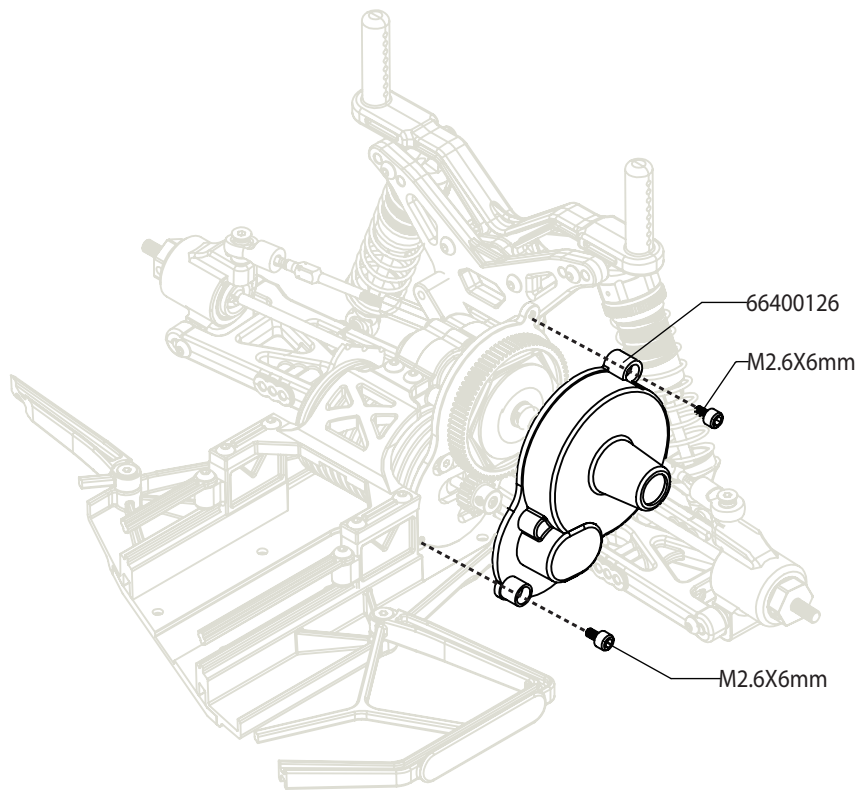
 — 2
 M3X14mm Flat Head Hex Screw
 82400046
 — 2
 M3X28mm Button Head Hex Screw
 80400126



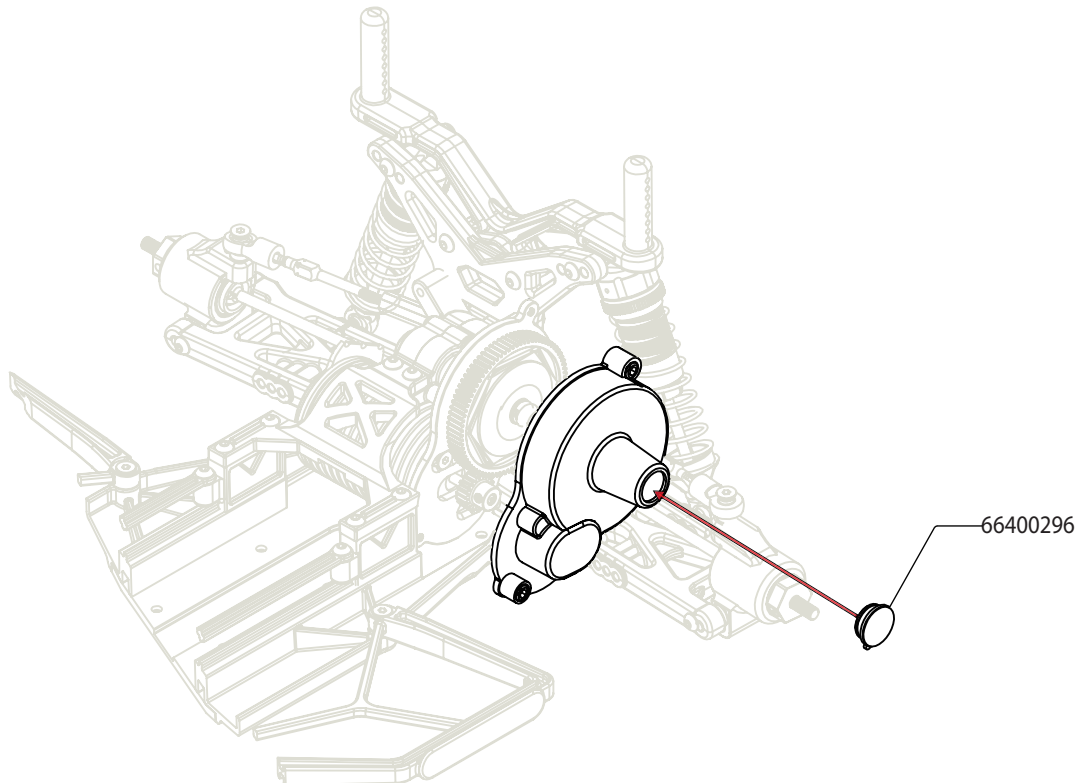


F5 Rear Suspension

2
2.6mm Cap Screw
87400046






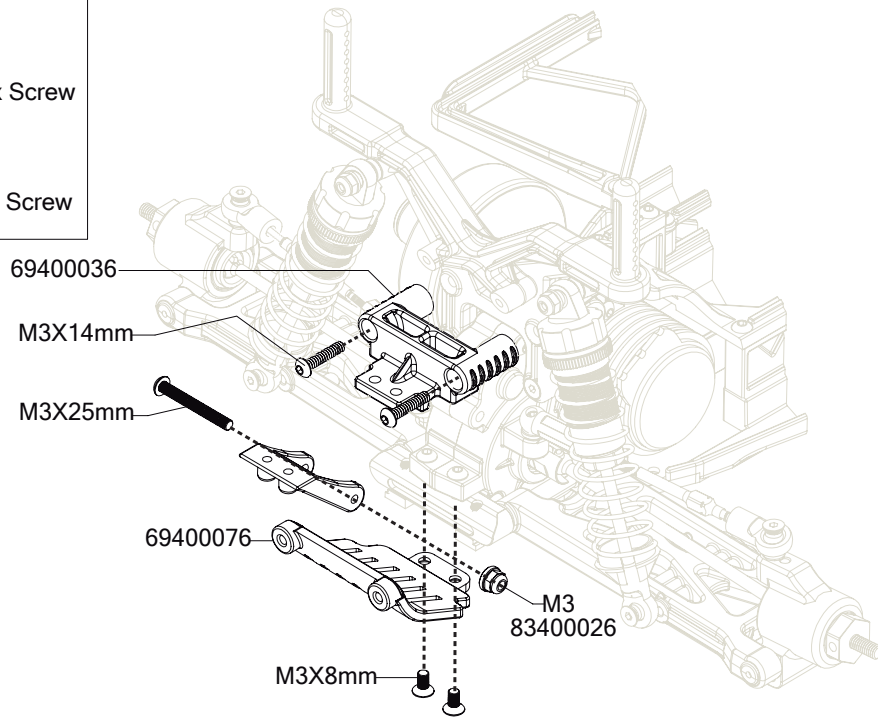
F6 Rear Suspension








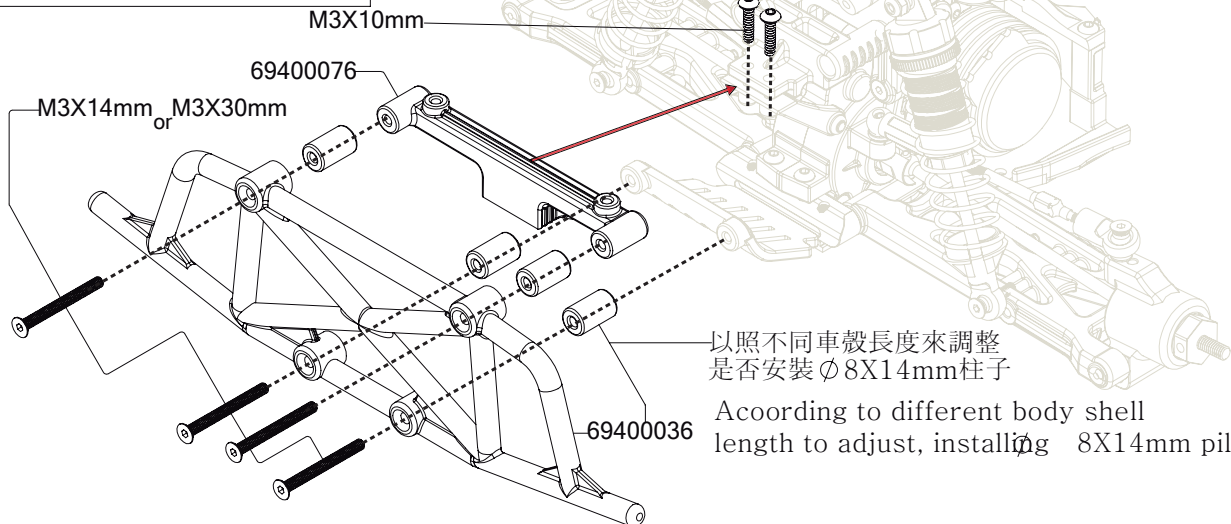
F7 Rear Suspension

-  2
M3X8mm Flat Head Hex Screw
82400026
-  2
M3X14mm Button Head Hex Screw
80400056
-  1
M3X25mm Button Head Hex Screw
80400076



F8 Rear Suspension

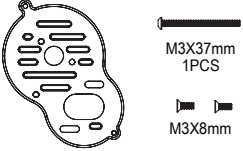

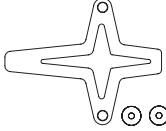
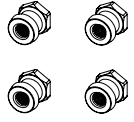
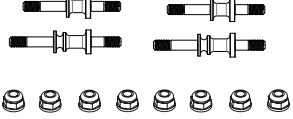
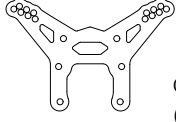

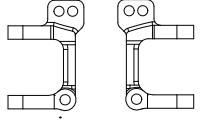
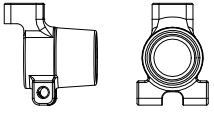
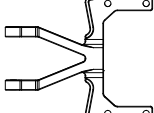
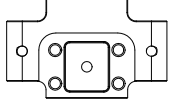
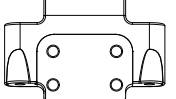
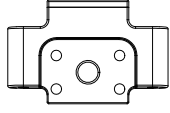
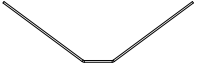
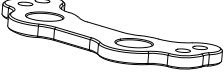

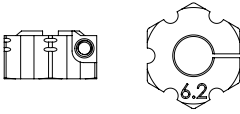
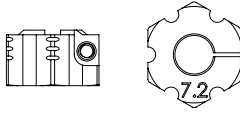
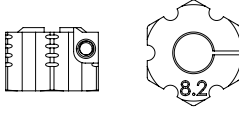
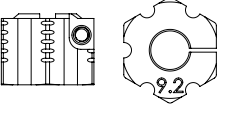

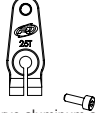


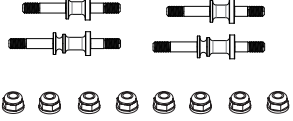
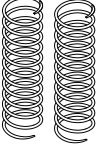
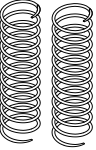
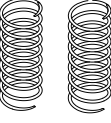
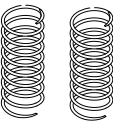

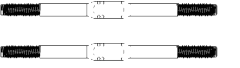

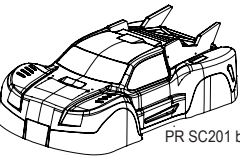
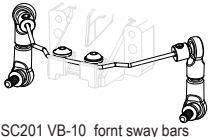
-  2
M3X10mm Button Head Hex Screw
80400046
-  4
M3X14mm Flat Head Hex Screw
82400046
-  4
M3X30mm Flat Head Hex Screw
82400136




以照不同車殼長度來調整
是否安裝 $\varnothing 8 \times 14$ mm 柱子

According to different body shell
length to adjust, installing $\varnothing 8 \times 14$ mm pillar or not.






<p>66480386</p>  <p>(1) M3X37mm 1PCS M3X8mm</p>	<p>66480756</p>  <p>Chassis Brass Weight(23g) (1)</p>	<p>66480426</p>  <p>(1) Carbon</p>	<p>66400696</p>  <p>Aluminium Shock Stand off Set - Black - (4)</p>
<p>81430106</p>  <p>Front Rear Steel Shock Stand off Set</p>	<p>66480256</p>  <p>Carbon (1)</p>	<p>66402056</p>  <p>S1 Steering Screw (2)</p>	<p>66480326</p>  <p>S1 Aluminium Caster Block-4 Degree (Pair)</p>
<p>67400146</p>  <p>Aluminum Rear Hub +4mm FOR S1 (CNC)</p>	<p>66480526</p>  <p>S1 V2 Rear reinforcing plate aluminum cnc (1)</p>	<p>66480476</p>  <p>0 Degree Aluminum Lower Swing Arm Mount (+5mm) (1)</p>	<p>66480536</p>  <p>7 Degree Lower Swing Arm Mount (+5mm) 66g (Brass)</p>
<p>66480456</p>  <p>(+5mm 3)lower swing arm mounts 22g (aluminum)</p>	<p>66480736</p>  <p>PR S1 Rear balance beam 1.4mm</p>	<p>66430366</p>  <p>(1) Type R Ackerman board CNC Aluminium-V3</p>	<p>00430025</p>  <p>For Type R Ackerman Steering Knuckle Bushing 3x6mm (2)</p>
<p>90440010</p>  <p>Wheel Hex -12mm x 6.2mm (2)</p>	<p>90440020</p>  <p>Wheel Hex -12mm x 7.2mm (2)</p>	<p>90440030</p>  <p>Wheel Hex -12mm x 8.2mm (2)</p>	<p>90440040</p>  <p>Wheel Hex -12mm x 9.2mm (2)</p>
<p>23440360</p>  <p>PR RACING Short Nut Driver (5.5mm) (1)</p>	<p>55430086</p>  <p>PR RACING 25T servo aluminum arm For 2wd S1/SC/ST (1)</p>	<p>66480010</p>  <p>PR Racing 34T Aluminium Idler Gear (1)</p>	<p>66402086</p>  <p>28T Aluminum Idler Gear (28T) (1)</p>
<p>81430106</p>  <p>Front Rear Steel Shock Stand off Set</p>	<p>02530126</p>  <p>1/10 Rear Shock Spring Green/Black (2) 0.073kg/mm Type R eries</p>	<p>67400136</p>  <p>1/10 Rear Shock Spring (Red) (2) 0.084kg/mm S1 V3 series</p>	<p>67400126</p>  <p>1/10 Front Shock Spring (Blue)(2) 0.102kg/mm S1 V3 series</p>
<p>02530116</p>  <p>1/10 Front Shock Spring Green+Black (2) 0.090kg/mm Type R eries</p>	<p>77430066</p>  <p>PR SB401R-RT 55mm Turnbuckles steel (2)</p>	<p>77430056</p>  <p>PR SB401R-RT 50mm Turnbuckles steel (2)</p>	<p>66480946</p>  <p>Camber Link Brace - Rear - (S1 V2 and V3FM) (1)</p>
<p>69440020</p>  <p>PR SC201 body+ Sticker (1)</p>	<p>66481566</p>  <p>PR Racing SC201 VB-10 front sway bars 1.2mm/1.3mm/1.4mm (1Set) (1)</p>		

P R R A C I N G P R R A C I N G





PR S1(Gear Diff) Gear Ratio Chart-Internal Gear Ratio 2.75:1

(Gear Diff) Final Drive Ratio		Spur 				
		73	75	77	81	83
Pinion 	18				12.38	12.68
	19				11.72	12.01
	20				11.14	11.41
	21			10.08	10.61	10.87
	22			9.63	10.13	10.38
	23		8.97	9.21	9.68	9.92
	24		8.59	8.82	9.28	9.51
	25	8.03	8.25	8.47	8.91	
	26	7.72	7.93	8.14	8.57	
	27	7.44	7.64	7.84		
	28	7.17	7.37	7.56		
	29	6.92	7.11			
	30	6.69	6.88			
	31	6.48				
	32	6.27				
33	6.08					



PR S1 (Ball Diff) Gear Ratio Chart-Internal Gear Ratio 2.6:1

(Gear Diff) Final Drive Ratio		Spur 				
		73	75	77	81	83
Pinion 	18				11.70	11.99
	19				11.08	11.36
	20				10.53	10.79
	21			9.53	10.03	10.28
	22			9.10	9.57	9.81
	23		8.48	8.70	9.16	9.38
	24		8.13	8.34	8.78	8.99
	25	7.59	7.80	8.01	8.42	
	26	7.30	7.50	7.70	8.10	
	27	7.03	7.22	7.41		
	28	6.78	6.96	7.15		
	29	6.54	6.72			
	30	6.33	6.50			
	31	6.12				
	32	5.93				
33	5.75					

66480986	PR Racing 48P Pinion (3.17mm ID) (18T)*1pcs	66481576	PR Racing 48P Pinion (3.17mm ID) (26T)*1pcs
66480996	PR Racing 48P Pinion (3.17mm ID) (19T)*1pcs	66481586	PR Racing 48P Pinion (3.17mm ID) (27T)*1pcs
66481006	PR Racing 48P Pinion (3.17mm ID) (20T)*1pcs	66481596	PR Racing 48P Pinion (3.17mm ID) (28T)*1pcs
66400556	PR Racing 48P Pinion (3.17mm ID) (21T)*1pcs	66481606	PR Racing 48P Pinion (3.17mm ID) (29T)*1pcs
66480096	PR Racing 48P Pinion (3.17mm ID) (22T)*1pcs	66481616	PR Racing 48P Pinion (3.17mm ID) (30T)*1pcs
66480106	PR Racing 48P Pinion (3.17mm ID) (23T)*1pcs	66481626	PR Racing 48P Pinion (3.17mm ID) (31T)*1pcs
66480116	PR Racing 48P Pinion (3.17mm ID) (24T)*1pcs	66481636	PR Racing 48P Pinion (3.17mm ID) (32T)*1pcs
66481566	PR Racing 48P Pinion (3.17mm ID) (25T)*1pcs	66481646	PR Racing 48P Pinion (3.17mm ID) (33T)*1pcs

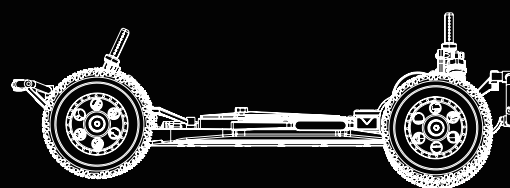
66480576	73T Spur Gear (For S1)*1pcs
66480586	75T Spur Gear (For S1)*1pcs
66480596	77T Spur Gear (For S1)*1pcs
71400116	81T Spur Gear (For S1)*1pcs
66480606	83T Spur Gear (For S1)*1pcs

P R R A C I N G P R R A C I N G

PR SC201

PROFESSIONAL 2WD 1/10 SCALE EP TRUGGY KIT

www.prc.com



EMAIL / info@prengine.com.tw